



MI-23361

Triplexer 800/900/1800-2100

- **Filter 1**, DC/AISG on Common – Low Band
 - **Filter 2**, DC/AISG on Common – High Band

MASS™

Microdata Advanced Site Solutions

With our expertise in site system design we are able to provide a solution for any site sharing or upgrade scenario.

Our focus area is RF-filter based solutions including combiners, multi band TMAs, di-, tri- and quadruplexers.

Our product portfolio supports all frequencies for mobile communication bands ranging from 450 MHz to 6 GHz.

Site and network sharing makes it cost efficient to reach sparsely populated areas where new subscribers can contribute to revenue.

MASS™

Advantage

Increases coverage
more traffic & higher ARPU

Increases capacity
more traffic & higher ARPU

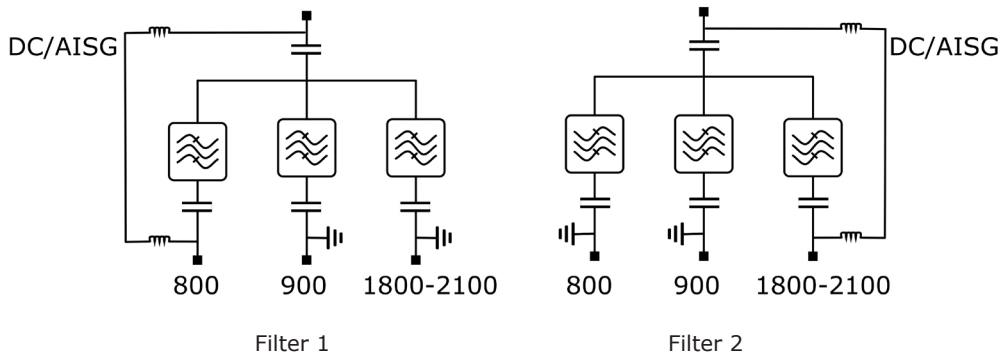
Reduces the cost
of network expansion

Minimizes
site acquisition issues

Specifications

Port 1 (800) - Common	
Frequency Band	790 - 862 MHz
Insertion Loss	0.2 dB*, 0.4 dB max
Return Loss, normal modes, all ports	> 18 dB
Rejection 880 - 2690 MHz	> 50 dB (>30 dB 900 RX)
Continuous Average Power	250 W
Intermod. (IM3), 2x43 dBm TX Carrier	-116 dBm
Port 2 (900) - Common	
Frequency Band	880 - 960 MHz
Insertion Loss	0.2 dB*, 0.4 dB max
Return Loss	> 18 dB
Rejection 790 - 862 MHz	> 50 dB TX >30 dB RX
Rejection 1710 - 2170 MHz	> 50 dB
Continuous Average Power	250 W
Intermod. (IM3), 2x43 dBm TX Carrier	-116 dBm
Port 3 (1800-2100) - Common	
Frequency Band	1710 - 2170 MHz
Insertion Loss, 1710 - 2170 MHz	0.2 dB*, 0.4 dB max
Return Loss	> 18 dB
Rejection 790 - 960 MHz	50 dB
Continuous Average Power	250 W
Intermod. (IM3), 2x43 dBm TX Carrier	-116 dBm
Environmental	
Operating Temperature Range	-40° to +65°C -40 to +149°F
Environmental	ETS 300 019
Ingress Protection	IP68
Electrical	
DC By Pass	3 A
AISG pass	Yes
Lightning Protection	5 kA 8/20 µs
Mechanical	
Dimensions (WxHxD)	220x160x129mm 8.66x6.30x5.08 in
Connectors	7/16 female
Mounting	Hose clamps or wall mount
Volume	4.5 l
Weight	7.5 kg 16.53 lb
Colour	NCS 1502-R (light grey)
Bracket	Included
* typical	

Block Diagram



Mechanical Drawing

