



MI-163nn TMA Twin 900 E-GSM



*This photo is showing MI-16301

General Description

Microdata Telecom's TMA provides network operators with a cost effective solution that delivers up to 50% improvement in uplink throughput while reducing dropped connections up to 20%.

The lower interference achieved with Microdata Telecom TMA shifts the traffic to higher coding schemes which further improves network performance and capacity.

The PIM buffer effect of Microdata Telecom TMAs will enable profitable use of spectrum previously avoided due to PIM contamination.

Features & Benefits

- Market leading PIM performance (-160 dBc across the product portfolio)
- Efficiently prepare your sites for future expansions
- Fully utilize the capabilities of your ultra-wideband antennas
- Small and light for minimum visual impact
- Reduce tower loading with up to 75%
- Full AISG operation and RET (Remote Electrical Tilt) antenna support

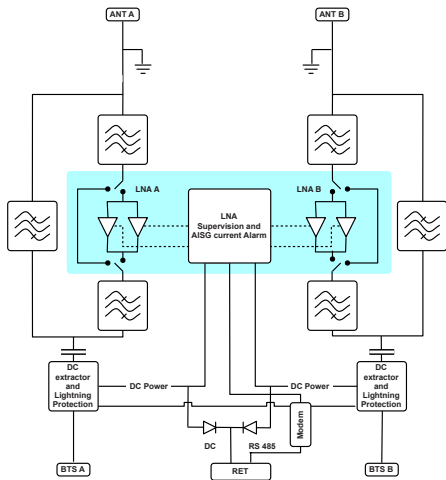
Specifications

Downlink (TX) Path		
Frequency Band	925 - 960 MHz	
Insertion Loss	< 0.55 dB* < 0.8 dB over temp	
Return Loss	≥ 18 dB	
Continuous Average Power	200 W (53 dBm)	
Intermodulation, 2x43 dBm TX Carrier BTS port	-117 dBm in RX band, ANT port	
Uplink (RX) Path		
Frequency Band	880 - 915 MHz	
Gain	12 dB nominal	
Return Loss	≥ 16 dB	
Noise Figure	1.4 dB*	
Insertion Loss, Bypass mode	2.7 dB*	
Return Loss, Bypass mode	≥ 12 dB	
Output IP3	25 dBm*	
Power Supply and Alarm		
	Current Alarm Mode	AISG - Mode
DC	9-15 V	9 - 30 V
Power	10 - 130 mA	< 2 W
Alarm	170 - 180 mA (9-15V input)	3GPP/AISG 2.0
Environmental		
Operating Temperature Range	-40 to +65°C -40 to +149°F	
Operation	ETS 300 019-1-4 Class 4.1E	
Storage	ETS 300 019-1-1 Class 1.2	
Ingress Protection	IP67	
Lightning Protection	10 kA 8/20 μs (ANT, BTS) 5 kA common mode (RET port)	
Miscellaneous		
EMC	EN 301 489-8	
Safety standards	EN 60950	
MTBF	1.4 Mh/TMA min.	
Mechanical		
Dimensions (WxHxD)	231x246x68 mm 9.09x9.69x2.68 in	
Connectors (See Selection Guide)	2xANT, 2XBTS, 1XAISG f 8 pin circular	
Mounting (Supporter Pole Diameter: 40-140mm)	Hose clamps, arbitrary orientation	
Volume	3.9 l	
Weight gross / net	5.7 kg / 5.0 kg 12.57 lb / 10.80 lb	
Colour	NCS 1502-R	
Bracket	Included	
Shipping Information		
Carton Size	375x310x160 mm 14.76x12.20x6.30 in	
Carton Qty/Pallet	48	
* typical		

Selection Guide

Model number	Connector (F)	
	7/16	4.3-10
MI-16301	X	
MI-16331		x

Block Diagram



Mechanical Drawing

*This picture is showing MI-16331

