



MI-540nn 8:4 Diplexer 1800/2300

The MI-540nn family of cavity diplexer products, include:

- MI-540n1, all ports DC grounded



*This picture is showing MI-54031

MASS™

Microdata Advanced Site Solutions

With our expertise in site system design we are able to provide a solution for any site sharing or upgrade scenario.

Our focus area is RF-filter based solutions including combiners, multi band TMAs, di-, tri- and quadruplexers.

Our product portfolio supports all frequencies for mobile communication bands ranging from 450 MHz to 6 GHz.

Site and network sharing makes it cost efficient to reach sparsely populated areas where new subscribers can contribute to revenue.

MASS™

Advantage

Increases coverage
more traffic & higher ARPU

Increases capacity
more traffic & higher ARPU

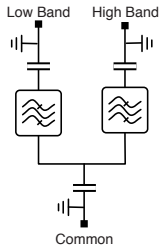
Reduces the cost
of network expansion

Minimizes
site acquisition issues

Specifications

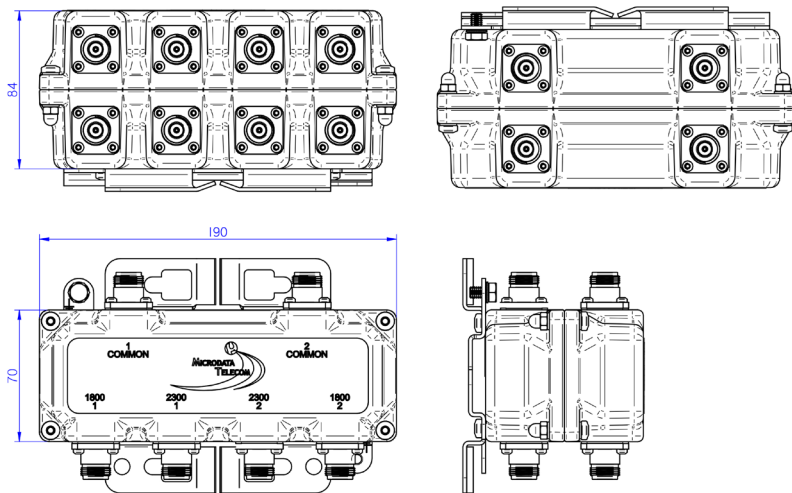
1800 (Low band)	
Frequency Band	1710 - 1880 MHz
Insertion Loss	0.1 dB *, 0.2 dB max.
Return Loss	20 dB *, (18 dB min.)
Rejection 2300 band	50 dB
Continuous Average Power	120 W
Peak Power	2000 W
Intermodulation, 2x43 dBm TX Carrier	-107 dBm (connector Type N f) -117 dBm (connector 4.3-10)
2300 (High band)	
Frequency Band	2300 - 2400 MHz
Insertion Loss	0.1 dB *, 0.2 dB max.
Return Loss	20 dB *, (18 dB min.)
Rejection 1800 band	50 dB
Continuous Average Power	120 W
Peak Power	2000 W
Intermodulation, 2x43 dBm TX Carrier	-107 dBm (connector Type N f) -117 dBm (connector 4.3-10)
Environmental	
Operating Temperature Range	-40 to +65°C
Operation	ETS 300 019-1-4 Class 4.1E
Storage	ETS 300 019-1-1 Class 1.2
Ingress Protection	IP67
Electrical	
Lightning Protection	10 kA 8/20 µs
Mechanical	
Dimensions (WxHxD) excl connectors	190x70x84 mm
Connectors	MI-54001 (Type N f) MI-54031 (4.3-10)
Mounting	Hose clamps or wall mount
Volume	1.1 l
Weight	TBD
Colour	NCS 1502-R
* Typical	

Block Diagram



Mechanical Drawing

*This picture is showing MI-54001



*This picture is showing MI-54031

