



MI-12101

TMA Twin 2100/1800 BP



General Description

Microdata Telecom's TMA provides network operators with a cost effective solution that delivers up to 50% improvement in uplink throughput while reducing dropped connections up to 20%.

The lower interference achieved with Microdata Telecom TMA shifts the traffic to higher coding schemes which further improves network performance and capacity.

The PIM buffer effect of Microdata Telecom TMAs will enable profitable use of spectrum previously avoided due to PIM contamination.

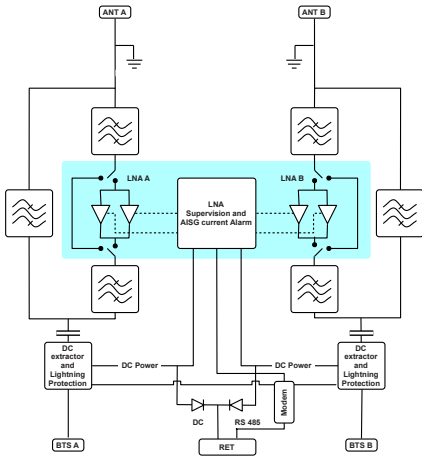
Features & Benefits

- Active LNA on all bands
- Market leading PIM performance (-160 dBc across the product portfolio)
- Efficiently prepare your sites for future expansions
- Fully utilize the capabilities of your ultra-wideband antennas
- Triplexed BTS Port that enable antenna and feeder sharing
- Small and light for minimum visual impact
- Reduce tower loading with up to 75%
- Full AISG operation and RET (Remote Electrical Tilt) antenna support

Specifications

Bypass Path		
Frequency Band	1710 - 1880 MHz	
Insertion Loss	0.2 dB*	
Continuous Average Power	200 W (53 dBm)	
Intermodulation, 2x43 dBm TX Carrier BTS port	-116 dBm in RX band, ANT port	
Downlink (TX) Path		
Frequency Band	2110 - 2170 MHz	
Insertion Loss	0.3 dB*	
Return Loss	≥ 18 dB	
Continuous Average Power	200 W (53 dBm)	
Intermodulation, 2x43 dBm TX Carrier BTS port	-116 dBm in RX band, ANT port	
Uplink (RX) Path		
Frequency Band	1920 - 1980 MHz	
Gain	12 dB nominal	
Return Loss	≥ 16 dB	
Noise Figure	1.4 dB*	
Insertion Loss, Bypass mode	2.0 dB*	
Output IP3	25 dBm*	
Power Supply and Alarm		
	Current Alarm Mode	AISG - Mode
DC	9 - 15 V	9 - 30 V
Power	80 - 130 mA	<2 W
Alarm	170 - 190 mA	3Gpp/AISG 2.0 or AISG 1.1
Environmental		
Operating Temperature Range	-40 to +65°C -40 to +149°F	
Operation	ETS 300 019-1-4, Class 4.1 E	
Storage	ETS 300 019-1-1, Class 1.2	
Ingress Protection	IP67	
Miscellaneous		
EMC	EN 301 489-8	
Safety standards	EN 60950	
MTBF	1.2 Mh/TMA min.	
Mechanical		
Dimensions (WxHxD)	224x209x55 mm 8.82x8.23x2.17 in	
Connectors	BTS 7/16 f, ANT 7/16 f, AISG 8 pin circular	
Mounting (Supporter Pole Diameter: 40-140mm)	Hose clamps, arbitrary orientation	
Volume	2.0 l	
Weight	4.0 kg 8.82 lb	
Colour	NCS 1502-R	
Bracket	Included	
* typical		

Block Diagram



Mechanical Drawing

