



MI-2853n

Same Band Combiner 900 Twin

The MI-2853n family of antenna sharing filter products, include:

- **MI-28531**, DC/AISG on Common – Port 1 & Port 2
- **MI-28532**, DC/AISG on Common – Port 1
- **MI-28533**, DC/AISG on Common – Port 2
- **MI-28534**, no DC/AISG transparency

MASS™

Microdata Advanced Site Solutions

With our expertise in site system design we are able to provide a solution for any site sharing or upgrade scenario.

Our focus area is RF-filter based solutions including combiners, multi band TMAs, di-, tri- and quadruplexers.

Our product portfolio supports all frequencies for mobile communication bands ranging from 450 MHz to 6 GHz.

Site and network sharing makes it cost efficient to reach sparsely populated areas where new subscribers can contribute to revenue.

MASS™

Advantage

Increases coverage
more traffic & higher ARPU

Increases capacity
more traffic & higher ARPU

Reduces the cost
of network expansion

Minimizes
site acquisition issues

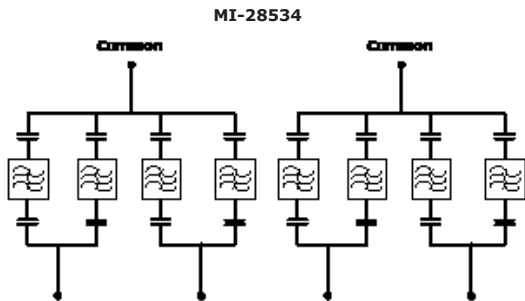
Specifications

900 Antenna Sharing Filter, AISG and DC Transparency

Uplink (Rx)	Port 1	Port 2
Frequency Band MHz	885.0 - 890.0	905.0 - 915.0
IL dB (typ/max.) OBW	0.4 / 0.5	0.5 / 0.6
Downlink (Tx)	Port 1	Port 2
Nominal Frequency Band	930.0 - 935.0 MHz	950.0 - 960.0 MHz
IL dB (typ/max.) OBW	0.4 / 0.6	0.3 / 0.5
Intermodulation, 2x43 dBm TX Carrier BTS port -160 dBc		
Power Handling, Average 200W (53 dBm), Peak 500 W (57 dBm)		
All Bands		
Return loss	> 18 dB	
Isolation between BTS ports	@ Rx frequency	@ Tx frequency
	30 dB	30 dB
Power Supply		
AISG Signal Attenuation	< 1 dB @ 2.176 MHz	
Voltage Drop	1 V max. @ 10 - 30 VDC	
Supply Voltage Handling	0 - 32VDC	
Continuous Current Handling	5A, 0 - 32 VDC	
AISG / DC Transparency between ports	TBD	
Environmental		
Operating Temperature Range °C	-25 to +65°C	
Operation	ETS 300 019-1-4, Class 4.1E	
Storage	ETS 300 019-1-1, Class 1.2	
Ingress Protection	IP67	
Miscellaneous		
EMC	EN 301 489-8	
Safety standards	EN 60950	
MTBF	1.5 M hours	
Lightning Protection	8 kA 8/20 µs	
Mechanical		
Dimensions (WxHxD)	214x164x128 mm ex connectors	
Connectors	6x 7/16 (F)	
Volume	2x 2.2 l	
Weight	8.0 kg	
Colour	NCS S1502-R	

values are subject to change without notice

Block Diagram



Mechanical Drawing

