



# MI-554nn Diplexer 600/700

## MASS™

### Microdata Advanced Site Solutions

With our expertise in site system design we are able to provide a solution for any site sharing or upgrade scenario.

Our focus area is RF-filter based solutions including combiners, multi band TMAs, di-, tri- and quadruplexers.

Our product portfolio supports all frequencies for mobile communication bands ranging from 450 MHz to 6 GHz.

Site and network sharing makes it cost efficient to reach sparsely populated areas where new subscribers can contribute to revenue.

## MASS™

### Advantage

**Increases coverage**  
more traffic & higher ARPU

**Increases capacity**  
more traffic & higher ARPU

**Reduces the cost**  
of network expansion

**Minimizes**  
site acquisition issues

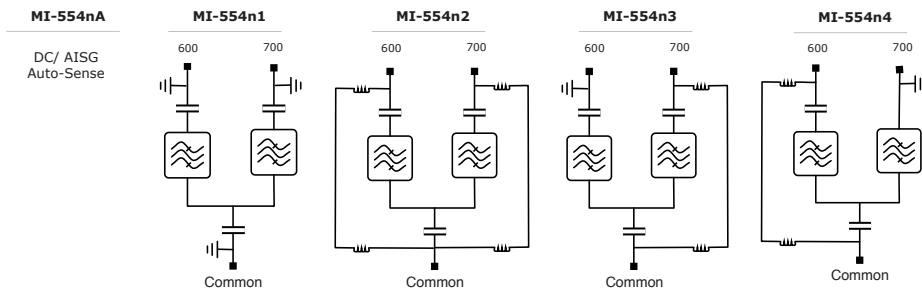
## Specifications

600		
Frequency Band	617 - 688 MHz	
Insertion Loss	<0.3 dB*, <0.55 dB max	
Return Loss	>20 dB *, >18 dB min	
Rejection 698 - 702 MHz	>30 dB	
Rejection 702 - 746 MHz	>40 dB	
Continuous Average Power	250 W	
Intermodulation, 2x43 dBm TX Carrier	-117 dBm	
700		
Frequency Band	698 - 746 MHz	
Insertion Loss	<0.3 dB*, <0.5 dB max	
Return Loss	>20 dB *, >18 dB min	
Rejection 663 - 688 MHz	>20 dB	
Rejection 617 - 642 MHz	>40 dB	
Continuous Average Power	250 W	
Intermodulation, 2x43 dBm TX Carrier	-117 dBm	
Environmental		
Operating Temperature Range	-40 to +65°C   -40 to +149°F	
Operation	ETS 300 019-1-4 Class 4.1E	
Storage	ETS 300 019-1-1 Class 1.2	
Ingress Protection	IP67	
Electrical		With Auto-Sense
DC By Pass	3 A	2A, drop max 2.4V
AISG pass	Yes	
AISG RL		>12dB
AISG Loss		< 1 dB
Lightning Protection	5 kA 8/20 µs	10 kA 8/20 µs
Input Voltage Power		8-31 V max 0.3 W
Mechanical		With Auto-Sense
Dimensions (WxHxD) (8:4 version)	300x160x116 mm 11.81 x 6.30 x 4.57 in	301x161x145 mm 11.85x6.33x5.70 in
Dimensions (WxHxD) (4:2 version)	To be added	To be added
Connectors	4.3-10 f (x12 8:4 version)	
Mounting	Hose clamps or wall mount (Supporter Pole Diameter: 40-140mm)	
Volume (8:4 version)	5.6 l	7.0 l
(4:2 version)	< 3.5 l	
Weight (8:4 version)	5.4 kg   12 lb prel.	5.5 kg   12.1 lb
(4:2 version)		
Colour	NCS 1502-R	
Bracket	Included	
Versions		
8:4 Diplexer (8 band 4 common)	MI-5544n	
4:2 Diplexer (4 band 2 common)	MI-5543n	
*typical		

## DC/AISG

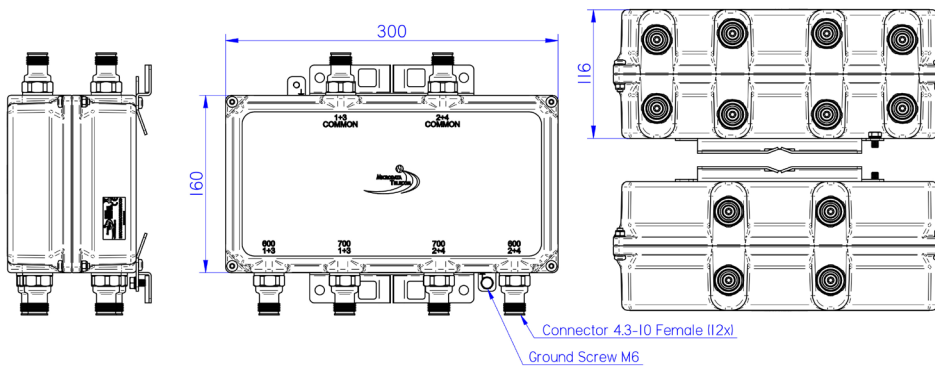
	600	700
<b>MI-554nA</b>	Auto-Sense	
<b>MI-554n1</b>	Block	Block
<b>MI-554n2</b>	Pass	Pass
<b>MI-554n3</b>	Block	Pass
<b>MI-554n4</b>	Pass	Block

### Block Diagram



### Mechanical Drawing

\*The picture is showing MI-5544n



\*The picture is showing MI-5544A

