



MI-50811

Same Band Combiner AWS - Twin

MASS™

Microdata Advanced Site Solutions

With our expertise in site system design we are able to provide a solution for any site sharing or upgrade scenario.

Our focus area is RF-filter based solutions including combiners, multi band TMAs, di-, tri- and quadruplexers.

Our product portfolio supports all frequencies for mobile communication bands ranging from 450 MHz to 6 GHz.

Site and network sharing makes it cost efficient to reach sparsely populated areas where new subscribers can contribute to revenue.

MASS™

Advantage

Increases coverage
more traffic & higher ARPU

Increases capacity
more traffic & higher ARPU

Reduces the cost
of network expansion

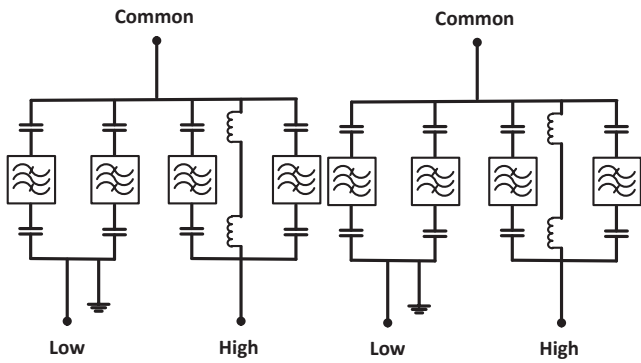
Minimizes
site acquisition issues

Specifications

AWS Same Band Combiner, AISG and DC Transparency			
Uplink (Rx)			
Frequency Band MHz	Low	High	
IL dB typical	< 0.3	< 0.3	
Downlink (Tx)			
Frequency Band, MHz	Low	High	
IL, dB typical	< 0.3	< 0.3	
Intermodulation, 2x43 dBm TX Carrier BTS port -160 dBc			
Power Handling, Average 200W (53 dBm), Peak 500 W (57 dBm)			
All Bands			
Return Loss		18 dB	
Isolation between Node B ports		@ Rx frequency	@ Tx frequency
		25 dB	25 dB
Power Supply			
AISG Signal Attenuation		< 1 dB @ 2.176 MHz	
Voltage Drop		1 V max. @ 10 - 30 VDC	
Supply Voltage Handling		0 - 32VDC	
Continuous Current Handling		5A, 0 - 32 VDC	
AISG / DC Transparency between ports		High to Common	
Environmental			
Operating Temperature		-40 to +60°C	-40 to +149°F
Operation		ETS 300 019-1-4 Class 4.1E	
Storage		ETS 300 019-1-1 Class 1.2	
Ingress Protection		IP67	
Miscellaneous			
EMC		EN 301 489-23	
Safety standards		EN 60950	
MTBF		1.5 M hours	
Lightning Protection		3 kA 10/350 µs, 10 kA 8/20 µs	
Mechanical			
Dimensions (WxHxD)		220x181x96 mm 8.66x7.13x3.78 in	
Connectors		7/16 F (6 x)	
Mounting (Supporter Pole Diameter: 40-140mm)		Hose clamps, arbitrary orientation	
Volume		5.6 l	
Weight		5 kg 11 lb	
Colour		NCS 1502-R	
Bracket		Included	
* typical			

* Specification is subject to change without notice

Block Diagram



Mechanical Drawing

