



MI-201nn Diplexer 1800/2100



*This photo is showing MI-2010A

The MI-201nn family of cavity diplexer products, include:

- **MI-201nA**, diplexer with DC/AISG Auto Sense
- **MI-201n1**, diplexer with DC/AISG on Common – High Band
- **MI-201n2**, diplexer with DC/AISG on Common – Low Band
- **MI-201n3**, diplexer with DC/AISG on Common – High & Low Band
- **MI-201n4**, diplexer with DC/AISG on Both High & Low ports DC grounded

MASS™

Microdata Advanced Site Solutions

With our expertise in site system design we are able to provide a solution for any site sharing or upgrade scenario.

Our focus area is RF-filter based solutions including combiners, multi band TMAs, di-, tri- and quadruplexers.

Our product portfolio supports all frequencies for mobile communication bands ranging from 450 MHz to 6 GHz.

Site and network sharing makes it cost efficient to reach sparsely populated areas where new subscribers can contribute to revenue.

MASS™

Advantage

Increases coverage
more traffic & higher ARPU

Increases capacity
more traffic & higher ARPU

Reduces the cost
of network expansion

Minimizes
site acquisition issues

Specifications

1800		
Frequency Band	1710 - 1880 MHz	
Insertion Loss, 1710 - 1785 MHz	0.15 dB *, 0.2 dB max.	
Insertion Loss, 1805 - 1880 MHz	0.15 dB *, 0.3 dB max.	
Return Loss	20 dB *, (18 dB max.)	
Rejection 1920 - 2170 MHz	60 dB	
Continuous Average Power	250 W	
Intermodulation, 2x43 dBm TX Carrier	-117 dBm	
2100		
Frequency Band	1920 - 2170 MHz	
Insertion Loss, 1920 - 1980 MHz	0.2 dB *, 0.4 dB max., see Note	
Insertion Loss, 2110 - 2170MHz	0.15 dB *, 0.2 dB max.	
Return Loss	20 dB *, (18 dB max.)	
Rejection 1710 - 1880 MHz	58 dB	
Continuous Average Power	250 W	
Intermodulation, 2x43 dBm TX Carrier	-117 dBm	
Environmental		
Operating Temperature Range	-40 to +65°C -40° to +149°F	
Operation	ETS 300 019-1-4 Class 4.1E	
Storage	ETS 300 019-1-1 Class 1.2	
Ingress Protection	IP67	
Electrical		With Auto-Sense
DC By Pass	3 A	2 A, drop max 2.4 V
AISG pass	Yes	
AISG RL		>12 dB
AISG Loss		<1 dB
Lightning Protection		10 kA 8/20 µs
Input Voltage Power		8-31 V max 0.3 W
Mechanical		Single Mount Dual Mount
Dimensions (WxHxD)	142x150x48.5 mm	142x150x104.5 mm
	5.59x5.91x1.91 in	5.59x5.91x4.11 in
With Auto-Sense	142x150x60 mm	142x150x125 mm
	5.59x5.91x2.36 in	5.59x5.91x4.92 in
Volume	1.0 l	2.2 l
With Auto-Sense	1.3 l	2.7 l
Weight gross/net	2.4kg / 1.9kg 5.30lb / 4.19lb	4.2kg / 3.6kg 9.30lb / 7.94lb
With Auto-Sense	To be added	To be added
Connectors	See Selection Guide for specification	
Mounting	Hose clamps or wall mount. Supporter Pole Diameter: 40-140mm	
Bracket	Included	
Colour	NCS 1502-R	
Shipping Information		Single Mount (MI-20101) Dual Mount (MI-20113)
Carton Size**	315x240x150 mm	320x240x220 mm
	12.40x9.45x5.91 in	12.60x9.45x8.66 in
Carton Qty/Pallet	150	72
* Typical		
**The Carton Size of different models varies, please contact us for detailed information		
Note: If TMA is used on 2100, this loss has very little significance.		

Selection Guide

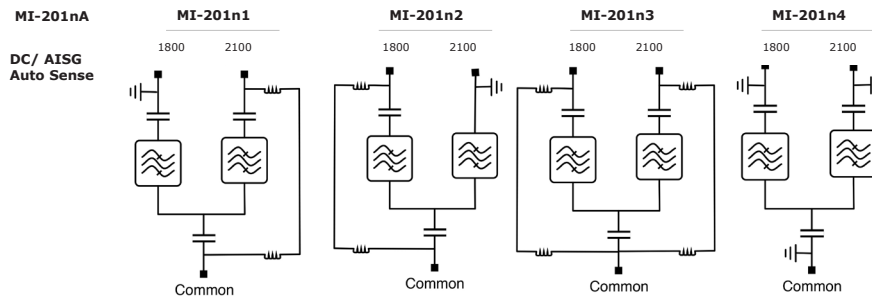
		Connector (F)	
		7/16	4.3-10
Mount	Single	MI-2010n	MI-2013n
	Dual	MI-2011n	MI-2014n

*The dual filter configuration is mounted on a single bracket for hose clamp or wall mount.

DC/AISG

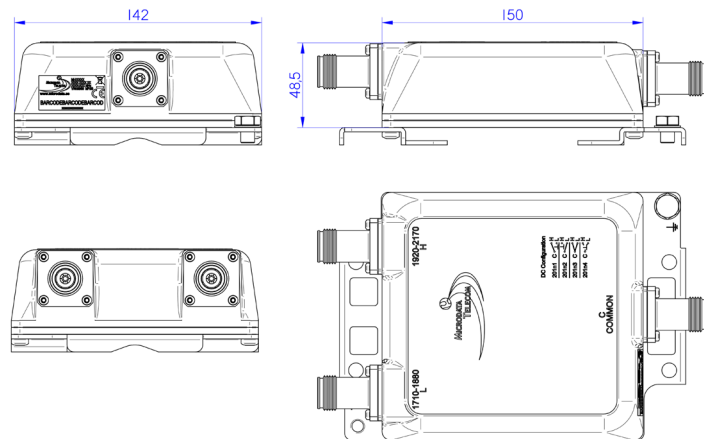
	1800	2100
MI-201nA	Auto-Sense	
MI-201n1	Block	Pass
MI-201n2	Pass	Block
MI-201n3	Pass	Pass
MI-201n4	Block	Block

Block Diagram



Mechanical Drawing

*This picture is showing MI-2013n



*This picture is showing MI-2014n

