



MI-201nn Diplexer 1800/2100



*This photo is showing MI-2010A

The MI-201nn family of cavity diplexer products, include:

- **MI-201nA**, diplexer with DC/AISG Auto Sense
- **MI-201n1**, diplexer with DC/AISG on Common – High Band
- **MI-201n2**, diplexer with DC/AISG on Common – Low Band
- **MI-201n3**, diplexer with DC/AISG on Common – High & Low Band
- **MI-201n4**, diplexer with DC/AISG on Both High & Low ports DC grounded

MASS™

Microdata Advanced Site Solutions

With our expertise in site system design we are able to provide a solution for any site sharing or upgrade scenario.

Our focus area is RF-filter based solutions including combiners, multi band TMAs, di-, tri- and quadruplexers.

Our product portfolio supports all frequencies for mobile communication bands ranging from 450 MHz to 6 GHz.

Site and network sharing makes it cost efficient to reach sparsely populated areas where new subscribers can contribute to revenue.

MASS™

Advantage

Increases coverage
more traffic & higher ARPU

Increases capacity
more traffic & higher ARPU

Reduces the cost
of network expansion

Minimizes
site acquisition issues

Specifications

1800		
Frequency Band	1710 - 1880 MHz	
Insertion Loss, 1710 - 1785 MHz	0.15 dB *, 0.2 dB max.	
Insertion Loss, 1805 - 1880 MHz	0.15 dB *, 0.3 dB max.	
Return Loss	20 dB *, (18 dB max.)	
Rejection 1920 - 2170 MHz	60 dB	
Continuous Average Power	250 W	
Intermodulation, 2x43 dBm TX Carrier	-117 dBm	
2100		
Frequency Band	1920 - 2170 MHz	
Insertion Loss, 1920 - 1980 MHz	0.2 dB *, 0.4 dB max., see Note	
Insertion Loss, 2110 - 2170MHz	0.15 dB *, 0.2 dB max.	
Return Loss	20 dB *, (18 dB max.)	
Rejection 1710 - 1880 MHz	58 dB	
Continuous Average Power	250 W	
Intermodulation, 2x43 dBm TX Carrier	-117 dBm	
Environmental		
Operating Temperature Range	-40 to +65°C	
Operation	ETS 300 019-1-4 Class 4.1E	
Storage	ETS 300 019-1-1 Class 1.2	
Ingress Protection	IP67	
Electrical		With Auto-Sense
DC By Pass	3 A	2 A, drop max 2.4 V
AISG pass	Yes	
AISG RL		>12 dB
AISG Loss		<1 dB
Lightning Protection		10 kA 8/20 µs
Input Voltage Power		8-31 V max 0.3 W
Mechanical		With Auto-Sense
Dimensions (WxHxD)	142x150x48.5 mm	142x150x60 mm
Connectors	See Selection Guide for specification	
Mounting	Hose clamps or wall mount	
Volume	1.1 l	
Weight	2.1 kg	2.2 kg
Colour	NCS 1502-R	
* Typical		

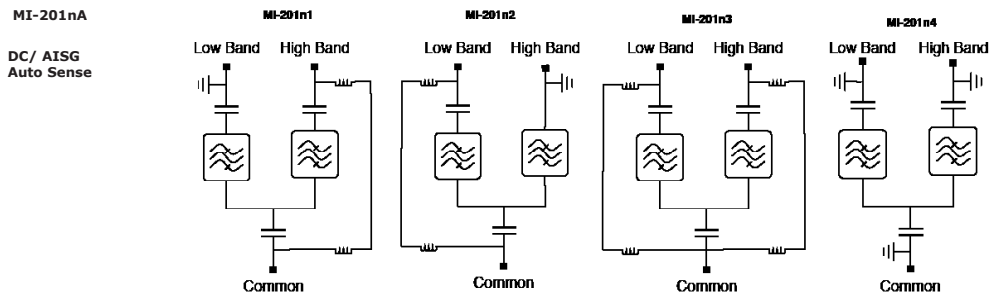
Note: If TMA is used on 2100, this loss has very little significance.

Selection Guide

		Connector (F)	
		7/16	4.3-10
Mount	Single	MI-2010n	MI-2013n
	Dual	MI-2011n	MI-2014n

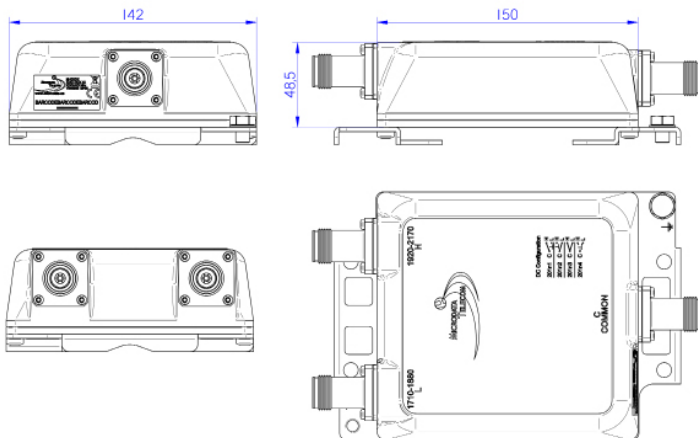
*The dual filter configuration is mounted on a single bracket for hose clamp or wall mount.

Block Diagram



Mechanical Drawing

*This picture is showing MI-2013n



*This picture is showing MI-2014n

