



MI-53231

850 Reject Filter FB Twin



MASS™

Microdata Advanced Site Solutions

With our expertise in site system design we are able to provide a solution for any site sharing or upgrade scenario.

Our focus area is RF-filter based solutions including combiners, multi band TMAs, di-, tri- and quadruplexers.

Our product portfolio supports all frequencies for mobile communication bands ranging from 450 MHz to 6 GHz.

Site and network sharing makes it cost efficient to reach sparsely populated areas where new subscribers can contribute to revenue.

MASS™

Advantage

Increases coverage
more traffic & higher ARPU

Increases capacity
more traffic & higher ARPU

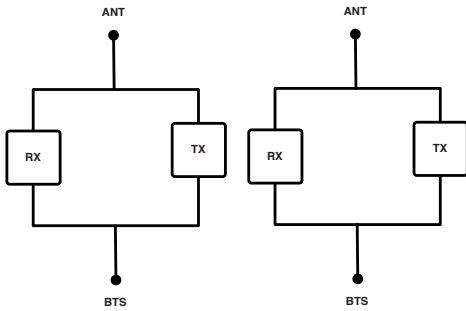
Reduces the cost
of network expansion

Minimizes
site acquisition issues

Specifications

900	
Frequency Band	890 - 960 MHz
Intermodulation, 2x43 dBm TX Carrier BTS port	-160 dBc
Rejection 880-888.6 MHz	>50 dB typ
Uplink (RX) Path	
Frequency Band	890 - 915 MHz
Insertion Loss	max 2.0 dB, 890.2 - 891 MHz typ < 0.3 dB 891 - 915 MHz
Return Loss	typ >20 dB min >18 dB
Downlink (TX) Path	
Frequency Band	935 - 960 MHz
Insertion Loss	typ < 0.2 dB
Return Loss	typ >20 dB min >18 dB
Average Power Handling	200 W
Power Supply and Alarm	
Continuous Current Handling	No DC bypass
Environmental	
Operating Temperature Range °C	-35 to +55°C
Operation	ETS 300 019-1-4 Class 4.1 E
Storage	ETS 300 019-1-1 Class 1.2
Ingress Protection	IP68
Miscellaneous	
EMC	EN 301 489-8
Safety standards	EN 60950
MTBF	1.5 M hours
Mechanical	
Dimensions (WxHxD)	334x130x80 mm
Connectors	4x 7/16 (F)
Volume	3.5 l
Weight	4.4 kg
Colour	NCS 1502-R

Block Diagram



Mechanical Drawing

