



MI-137nn TMA Twin 800



*This photo is showing MI-13701

General Description

Microdata Telecom's TMA provides network operators with a cost effective solution that delivers up to 50% improvement in uplink throughput while reducing dropped connections up to 20%.

The lower interference achieved with Microdata Telecom TMA shifts the traffic to higher coding schemes which further improves network performance and capacity.

The PIM buffer effect of Microdata Telecom TMAs will enable profitable use of spectrum previously avoided due to PIM contamination.

Features & Benefits

- Market leading PIM performance (-160 dBc across the product portfolio)
- Efficiently prepare your sites for future expansions
- Fully utilize the capabilities of your ultra-wideband antennas
- Small and light for minimum visual impact
- Reduce tower loading with up to 75%
- Full AISG operation and RET (Remote Electrical Tilt) antenna support

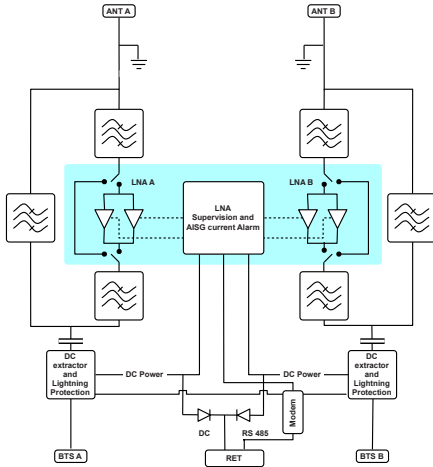
Specifications

Downlink (TX) Path	
Frequency Band	791 - 821 MHz
Insertion Loss	0.5 dB*
Return Loss	≥ 18 dB
Continuous Average Power	200 W (53 dBm)
Intermodulation, 2x43 dBm TX Carrier BTS port	-117 dBm in RX band, ANT port
Uplink (RX) Path	
Frequency Band	832 - 862 MHz
Gain	12 dB nominal
Return Loss	≥ 16 dB
Noise Figure	1.3 dB*
Insertion Loss, Bypass mode	1.7 dB*
Return Loss, Bypass mode	≥ 12 dB
Output IP3	25 dBm*
Power Supply and Alarm	
DC	9 - 30 V
Power	< 2 W
Alarm	3GPP/AISG 2.0
Environmental	
Operating Temperature Range	-40 to +65°C -40 to +149°F
Operation	ETS 300 019-1-4 Class 4.1E
Storage	ETS 300 019-1-1 Class 1.2
Ingress Protection	IP67
Lightning Protection	10 kA 8/20 μs (ANT, BTS) 5 kA common mode (RET port)
Miscellaneous	
EMC	EN 301 489-8
Safety standards	EN 60950
MTBF	1.4 Mh/TMA min.
Mechanical	
Dimensions (WxHxD)	231x245x68 mm 9.09x9.65x2.68 in
Connectors (See Selection Guide)	2xANT, 2xBTS, AISG Female 8 pin circular
Mounting (Supporter Pole Diameter: 40-140mm)	Hose clamps, arbitrary orientation
Volume	3.8 l
Weight gross / net	5.7 kg / 5.0 kg
Colour	NCS 1502-R
Bracket	Included
Shipping Information	
Carton Size	380x300x160 mm 14.96x11.81x6.30 in
Carton Qty/Pallet	48
* typical	
Values are subject to change without notice	

Selection Guide

Model number	Connector (F)	
	7/16	4.3-10
MI-13701	X	
MI-13731		X

Block Diagram



Mechanical Drawing

*This picture is showing MI-13701

