



# MI-30603

## Smart Bias Tee/BTS DC reversed

### Extended bandwidth



## MASS™

### Microdata Advanced Site Solutions

With our expertise in site system design we are able to provide a solution for any site sharing or upgrade scenario.

Our focus area is RF-filter based solutions including combiners, multi band TMAs, di-, tri- and quadruplexers.

Our product portfolio supports all frequencies for mobile communication bands ranging from 450 MHz to 6 GHz.

Site and network sharing makes it cost efficient to reach sparsely populated areas where new subscribers can contribute to revenue.

## MASS™

### Advantage

#### Increases coverage

more traffic & higher ARPU

#### Increases capacity

more traffic & higher ARPU

#### Reduces the cost

of network expansion

#### Minimizes

site acquisition issues

## Specifications

### Electrical

Frequency range	698 — 2690 MHz
IL	0.1 dB
RL	20 dB
Max RF Power	750 W
DC current	2.7 A
Voltage drop	1 V
Intermodulation	-116 dBm @2x43 dBm
Isolation RF - DC	65 dB
Modem frequency	2.176 MHz

### Environmental

Temperature	-40 °C - +65 °C
Ingress Protection	IP 66
Lightning Protection	10 kA 8/20 µs 3 kA 10/350 µs

### Mechanical

Weight	0.75 kg
Size (WxHxD)	76x51x47 mm

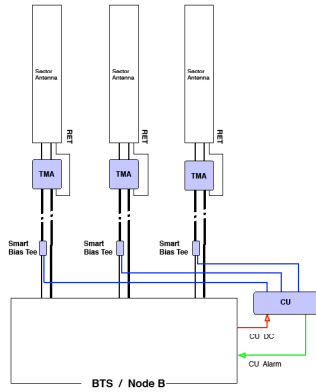
### Connectors

BTS-Side - 7/16 F (DC GND)  
ANT-Side - 7/16 M (DC&AISG signalling)

### AISG 8-pin circular M (IEC 60130-9)

Pin	Function
3	RS485-B
5	RS485-A
6	9-30 VDC
7	DC return (ground)
1, 2, 4, 8	Not connected

## Block Diagram



## Mechanical Drawing

