



MI-161nn TMA Twin 700



*This picture is showing MI-16101

General Description

Microdata Telecom's TMA provides network operators with a cost effective solution that delivers up to 50% improvement in uplink throughput while reducing dropped connections up to 20%.

The lower interference achieved with Microdata Telecom TMA shifts the traffic to higher coding schemes which further improves network performance and capacity.

The PIM buffer effect of Microdata Telecom TMAs will enable profitable use of spectrum previously avoided due to PIM contamination.

Features & Benefits

- Market leading PIM performance (-160 dBc across the product portfolio)
- Efficiently prepare your sites for future expansions
- Fully utilize the capabilities of your ultra-wideband antennas
- Small and light for minimum visual impact
- Reduce tower loading with up to 75%
- Full AISG operation and RET (Remote Electrical Tilt) antenna support

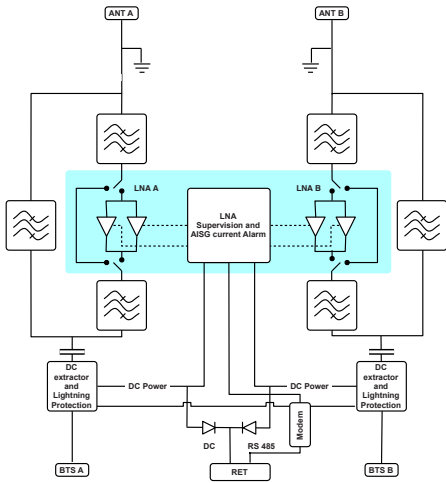
Specifications

Downlink (TX) Path	
Frequency Band	758 - 793 MHz (MI-16101, MI-16131) 773 - 803 MHz (MI-16102, MI-16132)
Insertion Loss	0.35 dB*
Return Loss	≥ 18 dB
Continuous Average Power	100 W (50 dBm)
Intermodulation, 2x43 dBm TX Carrier BTS port	-116 dBm in RX band, ANT port
Uplink (RX) Path	
Frequency Band	703 - 738 MHz (MI-16101, MI-16131) 718 - 748 MHz (MI-16102, MI-16132)
Gain	12 dB nominal
Return Loss	≥ 16 dB
Noise Figure	1.3 dB*
Insertion Loss, Bypass mode	1.5 dB*
Return Loss, Bypass mode	≥ 12 dB
Output IP3	25 dBm*
Rejection @ 698 MHz	> 25 dB
Power Supply and Alarm	
DC	9 - 30 V
Power	<2 W
Alarm	3Gpp/AISG 2.0
Environmental	
Operating Temperature Range	-40 to +65°C -40 to +149°F
Operation	ETS 300 019-1-4 class 4.1E (2.1.2)
Storage	ETS 300 019-1-1 class 1.3E (2.1.4)
Transport	ETS 300 019-1-2 class 2.3 (2.1.4)
Ingress Protection	IP67
Miscellaneous	
EMC	EN-301 489-23
Safety standards	EN 60950
MTBF	1.2 Mh/TMA min.
Mechanical	
Dimensions (WxHxD)	231x246x82 mm 9.09x9.69x3.23 in
Connectors (See Selection Guide)	2xANT, 2xBTS, AISG Female 8 pin circular
Mounting (Supporter Pole Diameter: 40-140mm)	Hose clamps, arbitrary orientation
Volume	4.7 l
Weight	6.5 kg 14.33 lb
Colour	NCS 1502-R
Bracket	Included
* typical	

Selection Guide

Model number	Connector (F)	
	7/16	4.3-10
MI-16101	X	
MI-16102	X	
MI-16131		X
MI-16132		X

Block Diagram



Mechanical Drawing

*This picture is showing MI-16101

