



General Description

Microdata Telecom's TMA provides network operators with a cost effective solution that delivers up to 50% improvement in uplink throughput while reducing dropped connections up to 20%.

The lower interference achieved with Microdata Telecom TMA shifts the traffic to higher coding schemes which further improves network performance and capacity.

The PIM buffer effect of Microdata Telecom TMAs will enable profitable use of spectrum previously avoided due to PIM contamination.

Features & Benefits

- Active LNA on all bands
- Market leading PIM performance (-160 dBc across the product portfolio)
- Efficiently prepare your sites for future expansions
- Fully utilize the capabilities of your ultra-wideband antennas
- Diplexed BTS Port that enable antenna and feeder sharing
- Small and light for minimum visual impact
- Reduce tower loading with up to 75%
- Full AISG operation and RET (Remote Electrical Tilt) antenna support

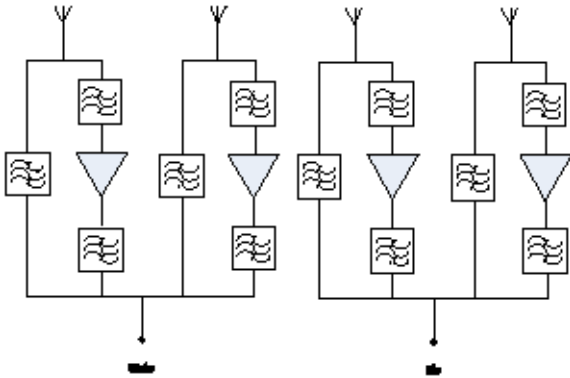
Specifications

Downlink (TX) Path		UMTS 2100	LTE 2600
Frequency Band		2110 - 2170 MHz	2620 - 2690 MHz
Insertion Loss		0.30 dB*	0.35 dB*
Continuous Average Power		200 W (53 dBm)	200 W (53 dBm)
Intermodulation, 2x43 dBm TX Carrier BTS port		-125 dBm in RX band, ANT port	-116 dBm in RX band, ANT port
Uplink (RX) Path			
Frequency Band		1920 - 1980 MHz	2500 -2570 MHz
Gain		12 dB nominal	12 dB nominal
Noise Figure		1.3 dB*	1.4 dB*
Insertion Loss, Bypass mode		1.9 dB*	2.0 dB*
Output IP3		25 dBm*	25 dBm*
Power Supply and Alarm		Current Alarm Mode	AISG - Mode
DC		9 - 15 V	24 V DC nominal (8 - 31 V DC)
Power		<165 mA @12V	< 4 W
Alarm		Factory config. max 320 mA	3GPP/AISG 2.0 or AISG 1.1
Environmental			
Operating Temperature Range		-40 to +65°C	
Operation		ETS 300 019-1-4 class 4.1E (2.1.2)	
Storage		ETS 300 019-1-1 class 1.3E (2.1.4)	
Transport		ETS 300 019-1-2 class 2.3 (2.1.4)	
Ingress Protection		IP67	
Lightning Protection		10 kA 8/20 µs (ANT, BTS) 5 kA common mode (RET port)	
Miscellaneous			
EMC		EN 301 489-8	
Safety standards		EN 60950	
MTBF		1 Mh/TMA min.	
Mechanical			
Dimensions (WxHxD)		152X187X107 mm	
Connectors		See Selection Guide 4x ANT, 2x BTS, AISG Female 8 pin circular	
Mounting		Wall mount bracket	
Volume		3.0 l	
Weight		5.0 kg	
Colour		NCS 1502-R	
* typical			

Selection Guide

Model number	AISG		Connector (F)		
	Single Mode	Independent	7/16	4.3-10	AISG
MI-16001	X		X		1x
MI-16006		X	X		2x
MI-16031	X			X	1x
MI-16036		X		X	2x

Block Diagram



Mechanical Drawing

*This picture is showing MI-16006

