



MI-114nn TMA Twin 1900



*This picture is showing MI-11411

General Description

Microdata Telecom's TMA provides network operators with a cost effective solution that delivers up to 50% improvement in uplink throughput while reducing dropped connections up to 20%.

The lower interference achieved with Microdata Telecom TMA shifts the traffic to higher coding schemes which further improves network performance and capacity.

The PIM buffer effect of Microdata Telecom TMAs will enable profitable use of spectrum previously avoided due to PIM contamination.

Features & Benefits

- Market leading PIM performance (-160 dBc across the product portfolio)
- Efficiently prepare your sites for future expansions
- Fully utilize the capabilities of your ultra-wideband antennas
- Small and light for minimum visual impact
- Reduce tower loading with up to 75%
- Full AISG operation and RET (Remote Electrical Tilt) antenna support

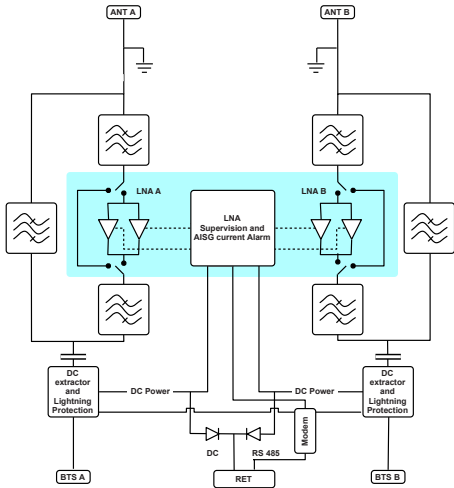
Specifications

Downlink (TX) Path		
Frequency Band	1930 - 1990 MHz	
Insertion Loss	0.3 dB*	
Return Loss	≥ 18 dB	
Continuous Average Power	200 W (53 dBm)	
Intermodulation, 2x43 dBm TX Carrier BTS port	-116 dBm max. in RX band, ANT port	
Uplink (RX) Path		
Frequency Band	1850 - 1910 MHz	
Gain	12 dB nominal	
Return Loss	≥ 16 dB	
Noise Figure	1.5 dB*	
Insertion Loss, Bypass mode	2.0 dB*	
Return Loss, Bypass mode	≥ 12 dB	
Input IP3	12 dBm	
Power Supply and Alarm	Current Alarm Mode	AISG Mode
DC	9 - 17 V DC	9 - 30 V
Power	100 mA*	< 2 W
Aalarm	Factory configurable, 160 - 300 mA	3GPP/AISG 2.0
Environmental		
Operating Temperature Range	-40 to +65°C -40 to +149°F	
Operation	ETS 300 019-1-4 Class 4.1 E	
Storage	ETS 300 019-1-1 Class 1.2	
Ingress Protection	IP68	
Miscellaneous		
EMC	FCC Part 15	
Safety standards	EN 60950	
MTBF	1.4 Mh/TMA min.	
Mechanical		
Dimensions (WxHxD)	168x275x58 mm 6.61x10.83x2.28 in	
Connectors (See Selection Guide)	2x ANT, 2x BTS, 1x AISG 8 pin circular	
Mounting (Supporter Pole Diameter: 40-140mm)	Hose clamps, arbitrary orientation	
Volume	2.8 l	
Weight	4.6 kg 10.14 lb	
Colour	NCS 1502-R	
Bracket	Included	
* typical		

Selection Guide

Model number	Connector (F)	
	7/16	4.3-10
MI-11411	X	
MI-11431		X

Block Diagram



Mechanical Drawing

*This picture is showing MI-11411

