



MI-114nn TMA Twin 1900



*This picture is showing MI-11411

General Description

Microdata Telecom's TMA provides network operators with a cost effective solution that delivers up to 50% improvement in uplink throughput while reducing dropped connections up to 20%.

The lower interference achieved with Microdata Telecom TMA shifts the traffic to higher coding schemes which further improves network performance and capacity.

The PIM buffer effect of Microdata Telecom TMAs will enable profitable use of spectrum previously avoided due to PIM contamination.

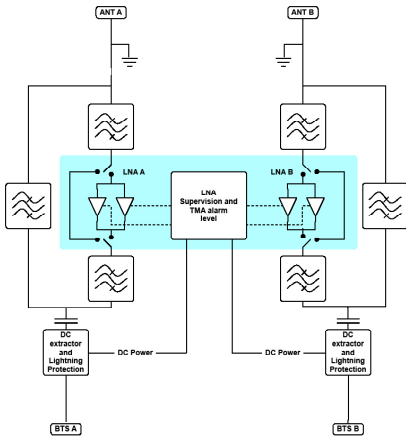
Features & Benefits

- Market leading PIM performance (-160 dBc across the product portfolio)
- Efficiently prepare your sites for future expansions
- Fully utilize the capabilities of your ultra-wideband antennas
- Small and light for minimum visual impact
- Reduce tower loading with up to 75%
- Full AISG operation and RET (Remote Electrical Tilt) antenna support

Specifications

Downlink (TX) Path			
Frequency Band	1930 - 1990 MHz		
Insertion Loss	0.3 dB*		
Continuous Average Power	200 W (53 dBm)		
Intermodulation, 2x43 dBm TX Carrier BTS port	-116 dBm max. in RX band, ANT port		
Uplink (RX) Path			
Frequency Band	1850 - 1910 MHz		
Gain	12 dB nominal		
Noise Figure	1.5 dB*		
Insertion Loss, Bypass mode	2.0 dB*		
Input IP3	12 dBm		
Power Supply and Alarm		Current Alarm Mode	AISG Mode
DC	9 - 17 V DC	9 - 30 V	
Power	100 mA*	< 2 W	
Aalarm	Factory configurable, 160 - 300 mA	3GPP/AISG 2.0	
Environmental			
Operating Temperature Range	-40 to +65°C -40 to +149°F		
Operation	ETS 300 019-1-4 Class 4.1 E		
Storage	ETS 300 019-1-1 Class 1.2		
Ingress Protection	IP68		
Miscellaneous			
EMC	FCC Part 15		
Safety standards	EN 60950		
MTBF	1.4 Mh/TMA min.		
Mechanical			
Dimensions (WxHxD)	168x275x58 mm 6.61x10.83x2.28 in		
Connectors	7/16 f (MI-11411) 4.3-10 f (MI-11431)		
Mounting	Hose clamps, arbitrary orientation		
Volume	2.8 l		
Weight	4.6 kg 10.14 lb		
Colour	NCS 1502-R		
* typical			

Block Diagram



Mechanical Drawing

*This picture is showing MI-11411

