



# MI-30602

## Smart Bias Tee/ANT

### Extended bandwidth



## MASS™

### Microdata Advanced Site Solutions

With our expertise in site system design we are able to provide a solution for any site sharing or upgrade scenario.

Our focus area is RF-filter based solutions including combiners, multi band TMAs, di-, tri- and quadruplexers.

Our product portfolio supports all frequencies for mobile communication bands ranging from 450 MHz to 6 GHz.

Site and network sharing makes it cost efficient to reach sparsely populated areas where new subscribers can contribute to revenue.

## MASS™

### Advantage

#### Increases coverage

more traffic & higher ARPU

#### Increases capacity

more traffic & higher ARPU

#### Reduces the cost

of network expansion

#### Minimizes

site acquisition issues

## Specifications

### Electrical

|                   |                    |
|-------------------|--------------------|
| Frequency range   | 698 — 2690 MHz     |
| IL                | 0.1 dB             |
| RL                | 20 dB              |
| Max RF Power      | 750 W              |
| DC current        | 2.7 A              |
| Voltage drop      | 1 V                |
| Intermodulation   | -116 dBm @2x43 dBm |
| Isolation RF - DC | 65 dB              |
| Modem frequency   | 2.176 MHz          |

### Environmental

|                      |                                 |
|----------------------|---------------------------------|
| Temperature          | -40 °C - +65 °C                 |
| Ingress Protection   | IP 66                           |
| Lightning Protection | 10 kA 8/20 µs<br>3 kA 10/350 µs |

### Mechanical

|              |             |
|--------------|-------------|
| Weight       | 0.75 kg     |
| Size (WxHxD) | 71x51x47 mm |

### Connectors

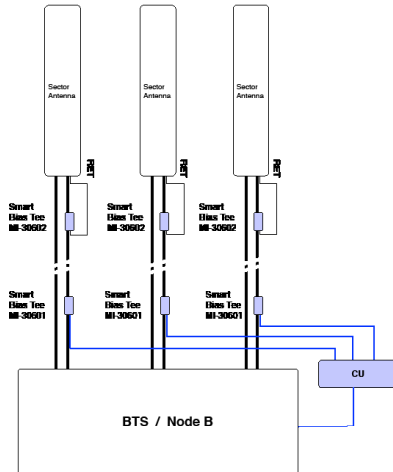
BTS-Side - 7/16 F (DC&AISG signalling)

ANT-Side - 7/16 M (DC GND)

### AISG 8-pin circular F (IEC 60130-9)

| Pin        | Function           |
|------------|--------------------|
| 3          | RS485-B            |
| 5          | RS485-A            |
| 6          | 9-30 VDC           |
| 7          | DC return (ground) |
| 1, 2, 4, 8 | Not connected      |

## Block Diagram



## Mechanical Drawing

