



MI-28611

LTE 800 Interference reject filter Twin



MASS™

Microdata Advanced Site Solutions

With our expertise in site system design we are able to provide a solution for any site sharing or upgrade scenario.

Our focus area is RF-filter based solutions including combiners, multi band TMAs, di-, tri- and quadruplexers.

Our product portfolio supports all frequencies for mobile communication bands ranging from 450 MHz to 6 GHz.

Site and network sharing makes it cost efficient to reach sparsely populated areas where new subscribers can contribute to revenue.

MASS™

Advantage

Increases coverage
more traffic & higher ARPU

Increases capacity
more traffic & higher ARPU

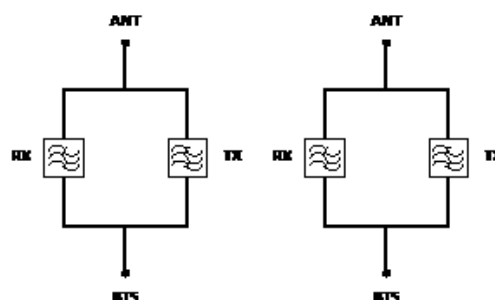
Reduces the cost
of network expansion

Minimizes
site acquisition issues

Specifications

| General | |
|-----------------------------------|--|
| Nominal Bandwidth | 2x6.3 MHz |
| Rejection 820 MHz to 821 MHz | >63 dB |
| Passive Intermodulation 2x 43 dBm | >150 dBc |
| Uplink (RX) Path | |
| Frequency Band | 853.2 - 859.5 MHz |
| Insertion Loss | <1.5 dB |
| Ripple | <0.5 dB |
| Return Loss | >20.8 dB |
| Downlink (TX) Path | |
| Frequency Band | 812.2 - 818.5 MHz |
| Insertion Loss | <2.7 dB |
| Ripple | < +/- 1.0 dB |
| Return Loss | >20.8 dB |
| Power handling | 80 W cont. 700 W peak. |
| DC & AISG Transparency | |
| Insertion loss @ 2.176 MHz | N.A. |
| Continuous Current Handling | N.A. |
| Environmental | |
| Operating Temperature Range | -40 to +55°C |
| Operation | ETS 300 019-1-4 Class 4.2H |
| Storage | ETS 300 019-1-1 |
| Ingress Protection | IP67 |
| Miscellaneous | |
| Safety standards | EN 60950 |
| MTBF | 1.5 M hours |
| Mechanical | |
| Dimensions (WxHxD) | 150 x 190 x 85 mm TBC (excluding connectors) |
| Connectors | 4x 7/16 (F) |
| Volume | <2.4 l |
| Weight | <3.5 kg |
| Colour | NCS 1502-R |

Block Diagram



Mechanical Drawing

