



# MI-294nn Diplexer 600-900/1800-2600



The MI-294nn family of cavity diplexer products, include:

- **MI-294n1**, all ports DC grounded
- **MI-294n2**, diplexer with DC/AISG on Common – High & Low Band
- **MI-294n3**, diplexer with DC/AISG on Common - High Band, Low port DC grounded
- **MI-294n4**, diplexer with DC/AISG on Common - Low Band, High port DC grounded
- **MI-294nA**, auto-sense

\*This photo is showing MI-29401

## MASS™

### Microdata Advanced Site Solutions

With our expertise in site system design we are able to provide a solution for any site sharing or upgrade scenario.

Our focus area is RF-filter based solutions including combiners, multi band TMAs, di-, tri- and quadruplexers.

Our product portfolio supports all frequencies for mobile communication bands ranging from 450 MHz to 6 GHz.

Site and network sharing makes it cost efficient to reach sparsely populated areas where new subscribers can contribute to revenue.

## MASS™

### Advantage

- Increases coverage**  
more traffic & higher ARPU
- Increases capacity**  
more traffic & higher ARPU

**Reduces the cost**  
of network expansion

**Minimizes**  
site acquisition issues

## Specifications

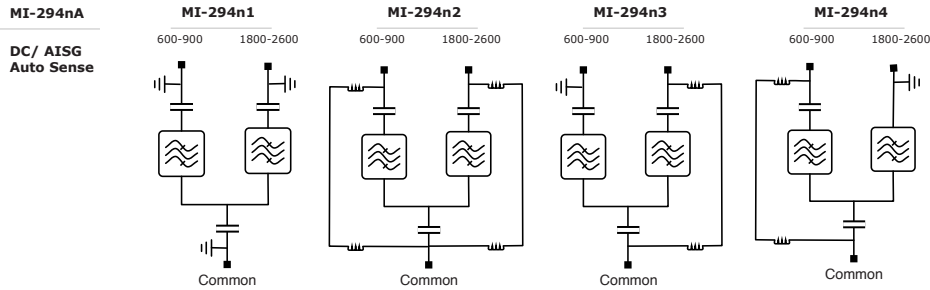
Low band				
Frequency Band	555 - 960 MHz			
Insertion Loss	< 0.1 dB *			
Return Loss	> 20 dB			
Rejection High Band	50 dB			
Continuous Average Power / Peak Power	250 W / 2000 W			
Intermodulation, 2x43 dBm TX Carrier	-117 dBm (160 dBc)			
High Band				
Frequency Band	1695 - 2690 MHz			
Insertion Loss	< 0.1 dB *			
Return Loss	> 20 dB			
Rejection Low Band	50 dB			
Continuous Average Power / Peak Power	250 W / 2000 W			
Intermodulation, 2x43 dBm TX Carrier	-117 dBm (160 dBc)			
Environmental				
Operating Temperature Range	-40 to +65°C   -40 to +149°F			
Operation	ETS 300 019-1-4 Class 4.1E			
Storage	ETS 300 019-1-1 Class 1.2			
Ingress Protection	IP67			
Electrical		With Auto-Sense		
DC By Pass	3 A	2 A, drop max 2.4V		
AISG pass	Yes			
AISG RL		> 12 dB		
AISG Loss		< 1 dB		
Lightning Protection	+/-5 kA 8/20 µs	+/-5 kA 8/20 µs		
Input Voltage Power		8-31 V Max 0.3W		
Mechanical		Single Mount	With Auto-Sense	Dual Mount
Dimensions (WxHxD)		108x142x55 mm	108x142x66 mm	108x142x112 mm
		4.25x5.59x2.17 in	4.25x5.59x2.60 in	4.25x5.59x4.41 in
Volume		0.8 l	1.0 l	1.7 l
Weight		1.5 kg	1.6 kg	3.3 kg
		3.31 lb	3.53 lb	7.28 lb
Connectors	See to Selection Guide			
Mounting	Hose clamps or wall mount (Supporter Pole Diameter: 40-140mm)			
Colour	NCS 1502-R			
Bracket	Included			
Shipping Information		Single Mount		
Carton Size		295x165x145 mm		
		11.61x6.50x5.71 in		
Carton Qty/Pallet		144		
*typical				

## Selection Guide

		Connector (F)	
		7/16	4.3-10
Mount	Single	MI-2940n	MI-2943n
	Dual	MI-2941n	MI-2944n

\*The dual filter configuration is mounted on a single bracket for hose clamp or wall mount.

### Block Diagram

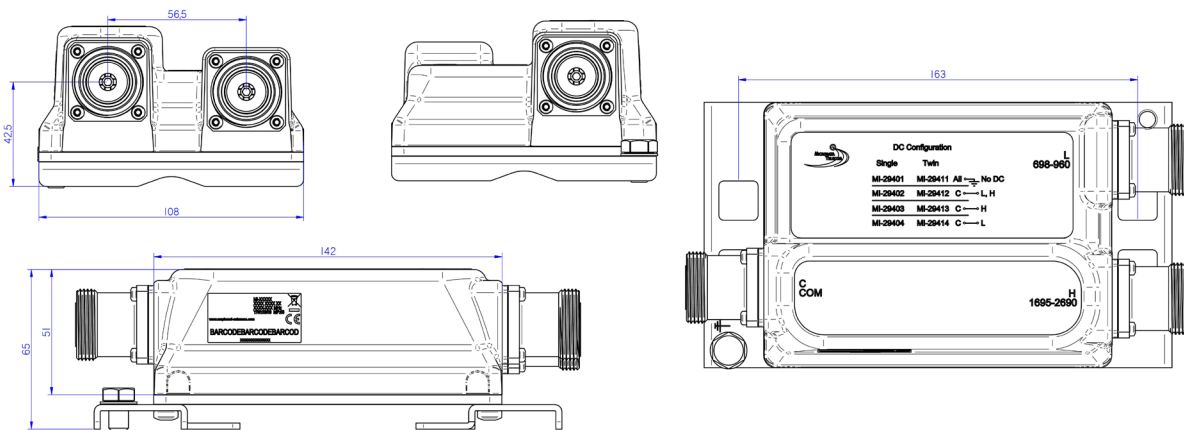


### DC/AISG

	600-900	1800-2600
<b>MI-294nA</b>	Auto-Sense	
<b>MI-294n1</b>	Block	Block
<b>MI-294n2</b>	Pass	Pass
<b>MI-294n3</b>	Block	Pass
<b>MI-294n4</b>	Pass	Block

### Mechanical Drawing

\*This picture is showing MI-29401



\*This picture is showing MI-2940A

