



MI-294nn Diplexer 600-900/1800-2600



The MI-294nn family of cavity diplexer products, include:

- **MI-294n1**, all ports DC grounded
- **MI-294n2**, diplexer with DC/AISG on Common – High & Low Band
- **MI-294n3**, diplexer with DC/AISG on Common - High Band, Low port DC grounded
- **MI-294n4**, diplexer with DC/AISG on Common - Low Band, High port DC grounded
- **MI-294nA**, auto-sense

*This photo is showing MI-29401

MASS™

Microdata Advanced Site Solutions

With our expertise in site system design we are able to provide a solution for any site sharing or upgrade scenario.

Our focus area is RF-filter based solutions including combiners, multi band TMAs, di-, tri- and quadruplexers.

Our product portfolio supports all frequencies for mobile communication bands ranging from 450 MHz to 6 GHz.

Site and network sharing makes it cost efficient to reach sparsely populated areas where new subscribers can contribute to revenue.

MASS™

Advantage

- Increases coverage**
more traffic & higher ARPU
- Increases capacity**
more traffic & higher ARPU

Reduces the cost
of network expansion

Minimizes
site acquisition issues

Specifications

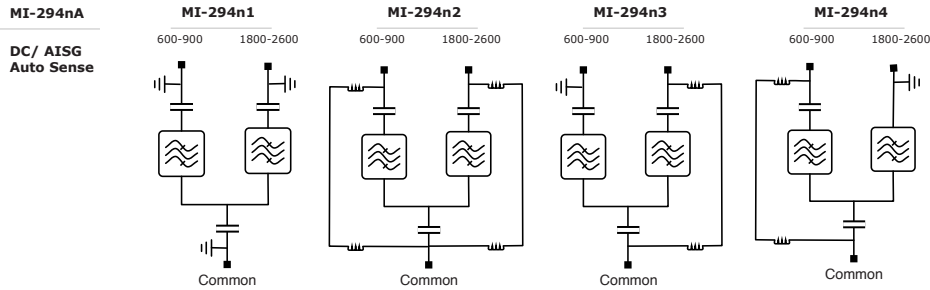
Low band			
Frequency Band	555 - 960 MHz		
Insertion Loss	< 0.2 dB *		
Return Loss	> 20 dB		
Rejection High Band	50 dB		
Continuous Average Power / Peak Power	250 W / 2000 W		
Intermodulation, 2x43 dBm TX Carrier	-117 dBm (160 dBc)		
High Band			
Frequency Band	1695 - 2690 MHz		
Insertion Loss	< 0.2 dB *		
Return Loss	> 20 dB		
Rejection Low Band	50 dB		
Continuous Average Power / Peak Power	250 W / 2000 W		
Intermodulation, 2x43 dBm TX Carrier	-117 dBm (160 dBc)		
Environmental			
Operating Temperature Range	-40 to +65°C -40 to +149°F		
Operation	ETS 300 019-1-4 Class 4.1E		
Storage	ETS 300 019-1-1 Class 1.2		
Ingress Protection	IP67		
Electrical		With Auto-Sense	
DC By Pass	3 A	2 A, drop max 2.4V	
AISG pass	Yes		
AISG RL		> 12 dB	
AISG Loss		< 1 dB	
Lightning Protection	+/-5 kA 8/20 µs	+/-5 kA 8/20 µs	
Input Voltage Power		8-31 V Max 0.3W	
Mechanical		Single Mount	Dual Mount
Dimensions (WxHxD)	108x142x55 mm	108x142x66 mm	108x142x112 mm
	4.25x5.59x2.17 in	4.25x5.59x2.60 in	4.25x5.59x4.41 in
Volume	0.8 l	1.0 l	1.7 l
Weight	1.5 kg	1.6 kg	3.3 kg
	3.31 lb	3.53 lb	7.28 lb
Connectors	See to Selection Guide		
Mounting	Hose clamps or wall mount (Supporter Pole Diameter: 40-140mm)		
Colour	NCS 1502-R		
Bracket	Included		
Shipping Information		Single Mount	
Carton Size	295x165x145 mm		
	11.61x6.50x5.71 in		
Carton Qty/Pallet	144		
*typical			

Selection Guide

		Connector (F)	
		7/16	4.3-10
Mount	Single	MI-2940n	MI-2943n
	Dual	MI-2941n	MI-2944n

*The dual filter configuration is mounted on a single bracket for hose clamp or wall mount.

Block Diagram

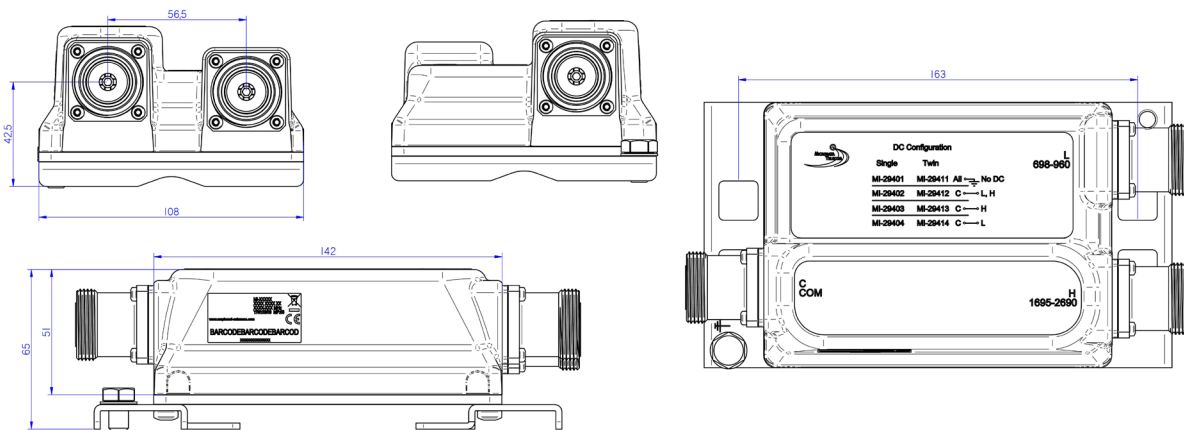


DC/AISG

	600-900	1800-2600
MI-294nA	Auto-Sense	
MI-294n1	Block	Block
MI-294n2	Pass	Pass
MI-294n3	Block	Pass
MI-294n4	Pass	Block

Mechanical Drawing

*This picture is showing MI-29401



*This picture is showing MI-2940A

