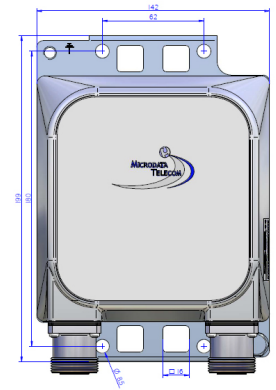




# MI-24602

## 1800 Clean up filter



### MASS™

#### Microdata Advanced Site Solutions

With our expertise in site system design we are able to provide a solution for any site sharing or upgrade scenario.

Our focus area is RF-filter based solutions including combiners, multi band TMAs, di-, tri- and quadruplexers.

Our product portfolio supports all frequencies for mobile communication bands ranging from 450 MHz to 6 GHz.

Site and network sharing makes it cost efficient to reach sparsely populated areas where new subscribers can contribute to revenue.

### MASS™

#### Advantage

**Increases coverage**  
more traffic & higher ARPU

**Increases capacity**  
more traffic & higher ARPU

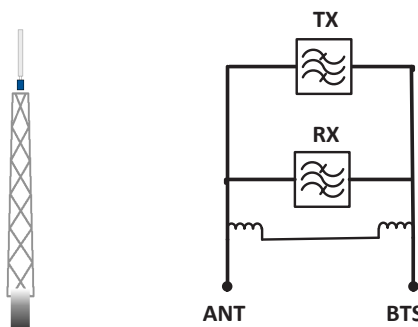
**Reduces the cost**  
of network expansion

**Minimizes**  
site acquisition issues

## Specifications

General	
Nominal Bandwidth	2x15 MHz
Rejection 100 MHz to 1600 MHz	>20 dB
Rejection 1805.0 MHz to 1829.2 MHz	>15 dB
Rejection 1855.8 MHz to 1885.0 MHz	>15 dB
Passive Intermodulation 2x 43 dBm	>150 dBc
Uplink (RX) Path	
Frequency Band	1740.7 - 1754.3 MHz
Insertion Loss	<0.3 dB
Return Loss	>18 dB
Downlink (TX) Path	
Frequency Band	1835.7 - 1849.3 MHz
Insertion Loss	<0.7 dB
Return Loss	>18 dB
Power handling	80 W cont. 715 W peak.
DC & AISG Transparency	
Insertion loss @ 2.176 MHz	<1.0 dB
Continuous Current Handling	2.7 A
Environmental	
Operating Temperature Range	-20 to +55°C
Operation	ETS 300 019-1-4 Class 4.2H
Storage	ETS 300 019-1-1
Ingress Protection	IP67
Miscellaneous	
Safety standards	EN 60950
MTBF	1.5 M hours
Mechanical	
Dimensions (WxHxD)	142 x 150 x 51 mm (excluding connectors)
Connectors	7/16 (F) ANT 7/16 (F) BTS
Volume	1.1 l
Weight	2.0 kg
Colour	NCS 1502-R

\* Specification is subject to change without notice



MI-24602\_111205\_C.pdf