



MI-29461

Diplexer 600-900/1800-2600

- **Filter 1**, DC/AISG on Common – Low Band
- **Filter 2**, DC/AISG on Common – High Band

MASS™

Microdata Advanced Site Solutions

With our expertise in site system design we are able to provide a solution for any site sharing or upgrade scenario.

Our focus area is RF-filter based solutions including combiners, multi band TMAs, di-, tri- and quadruplexers.

Our product portfolio supports all frequencies for mobile communication bands ranging from 450 MHz to 6 GHz.

Site and network sharing makes it cost efficient to reach sparsely populated areas where new subscribers can contribute to revenue.

MASS™

Advantage

Increases coverage

more traffic & higher ARPU

Increases capacity

more traffic & higher ARPU

Reduces the cost

of network expansion

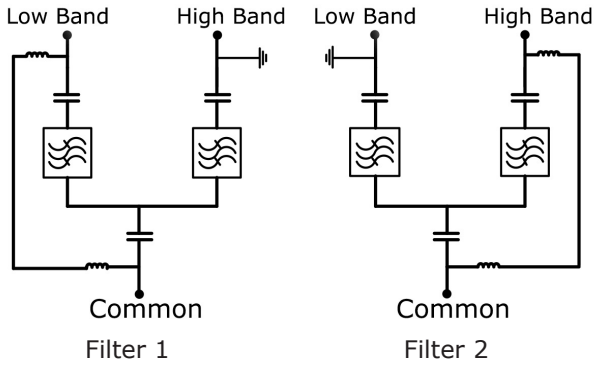
Minimizes

site acquisition issues

Specifications

Low band	
Frequency Band	555 - 960 MHz
Insertion Loss	< 0.2 dB *
Return Loss	> 20 dB
Rejection High Band	50 dB
Continuous Average Power / Peak Power	250 W / 2000 W
Intermodulation, 2x43 dBm TX Carrier	-117 dBm (160 dBc)
High Band	
Frequency Band	1695 - 2690 MHz
Insertion Loss	< 0.2 dB *
Return Loss	> 20 dB
Rejection Low Band	50 dB
Continuous Average Power / Peak Power	250 W / 2000 W
Intermodulation, 2x43 dBm TX Carrier	-117 dBm (160 dBc)
Environmental	
Operating Temperature Range	-40 to +65°C -40 to +149°F
Operation	ETS 300 019-1-4 Class 4.1E
Storage	ETS 300 019-1-1 Class 1.2
Ingress Protection	IP67
Electrical	
DC By Pass	3 A
AISG pass	Yes
Lightning Protection	+/-5 kA 8/20 µs
Mechanical	
Dimensions (WxHxD)	108x142x115 mm 4.25x5.59x4.53 in
Connectors	7/16 female
Mounting	Hose clamps or wall mount
Volume	1.8 l
Weight	3.3 kg 7.28 lb
Colour	NCS 1502-R
Bracket	Included
* Typical	
- Values in specification are subject to change without notice	

Block Diagram



Mechanical Drawing

