



# MI-548nn

## Diplexer 1800-2100/2300-2700



The MI-548nn family of cavity diplexer products include:

- **MI-548n1**, diplexer with all ports DC grounded
- **MI-548n2**, diplexer with DC/AISG on Common – High & Low Band
- **MI-548n3**, diplexer with DC/AISG on Common - High Band, Low port DC grounded
- **MI-548n4**, diplexer with DC/AISG on Common - Low Band, High port DC grounded

### MASS™

#### Microdata Advanced Site Solutions

With our expertise in site system design we are able to provide a solution for any site sharing or upgrade scenario.

Our focus area is RF-filter based solutions including combiners, multi band TMAs, di-, tri- and quadruplexers.

Our product portfolio supports all frequencies for mobile communication bands ranging from 450 MHz to 6 GHz.

Site and network sharing makes it cost efficient to reach sparsely populated areas where new subscribers can contribute to revenue.

### MASS™

#### Advantage

##### Increases coverage

more traffic & higher ARPU

##### Increases capacity

more traffic & higher ARPU

##### Reduces the cost

of network expansion

##### Minimizes

site acquisition issues

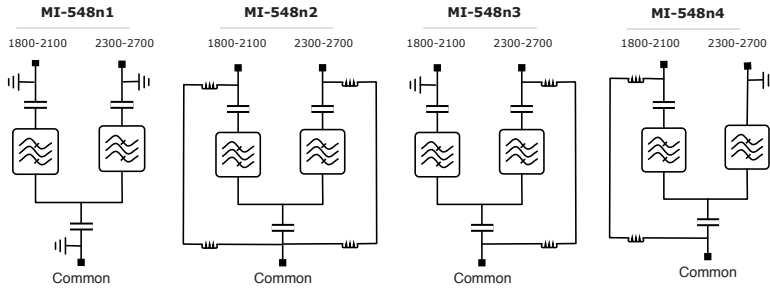
## Specifications

Low band		
Frequency Band	1695 - 2200 MHz	
Insertion Loss	< 0.2 dB*	
Return Loss	> 18 dB	
Rejection high band	50 dB	
Continuous Average Power	250 W	
Intermodulation, 2x43 dBm TX Carrier	-117 dBm	
High band		
Frequency Band	2300 - 2700 MHz	
Insertion Loss	< 0.2 dB*	
Return Loss	> 18 dB	
Rejection low band	50 dB	
Continuous Average Power	250 W	
Intermodulation, 2x43 dBm TX Carrier	-117 dBm	
Environmental		
Operating Temperature Range	-40 to +60°C   -40 to +140°F	
Operation	ETS 300 019-1-4 Class 4.1E	
Storage	ETS 300 019-1-1 Class 1.2	
Ingress Protection	IP67	
Electrical		
DC By Pass	3 A	
AISG pass	Yes	
Lightning Protection	10 kA 8/20 µs	
Mechanical		
Dimensions (WxHxD)	4:2	8:4
	239x110x48.5 mm 9.41x4.33x1.91 in	239x110x89 mm 9.41x4.33x3.50 in
Volume	1.3 l	2.3 l
Weight	TBD	4.1 kg   9.04 lb
Connectors	2XANT, 4XBTS	4xANT, 8xBTS
Mounting	Hose clamps or wall mount (Supporter Pole Diameter: 40-140mm)	
Colour	NCS 1502-R	
Bracket	Included	
Shipping Information		
Carton Size	4:2	8:4
Carton Qty/Pallet	TBD	TBD
*typical		

## Selection Guide

	Connector (F)	
	7/16	4.3-10
4:2	MI-5480n	MI-5483n
8:4	MI-5481n	MI-5484n

### Block Diagram

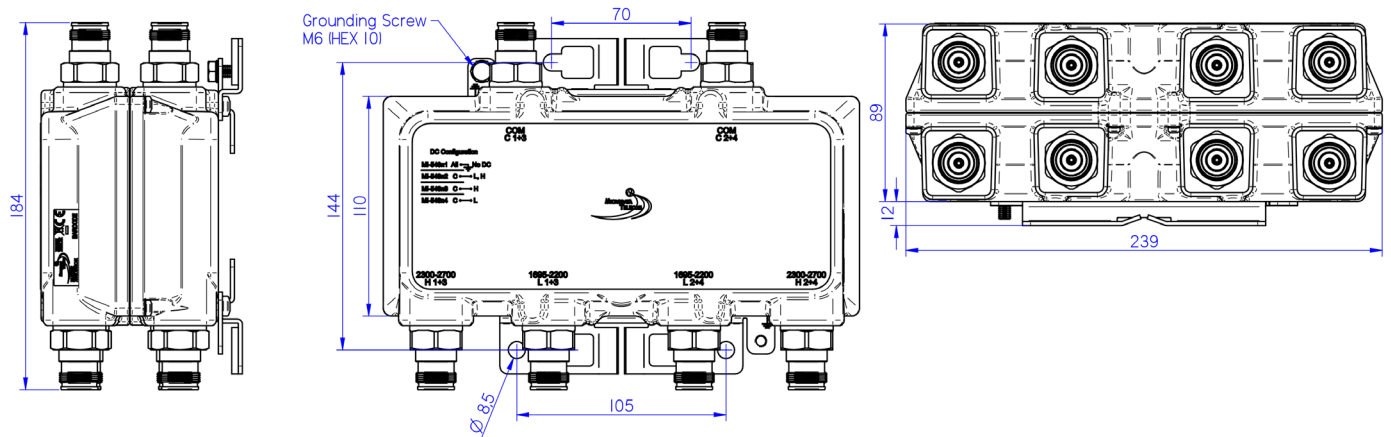


### DC/AISG

	1800-2100	2300-2700
<b>MI-548n1</b>	Block	Block
<b>MI-548n2</b>	Pass	Pass
<b>MI-548n3</b>	Block	Pass
<b>MI-548n4</b>	Pass	Block

### Mechanical Drawing

\*This picture is showing MI-5481n



\*This picture is showing MI-5480n

