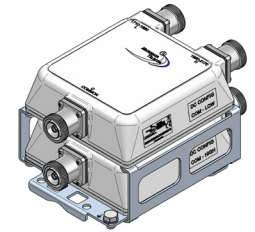




# MI-20161

## Diplexer 1800/2100 Mixed DC Twin



Filter 1 DC/AISG on Common – High Band  
Filter 2 DC/AISG on Common - Low band

### MASS™

Microdata Advanced Site Solutions

With our expertise in site system design we are able to provide a solution for any site sharing or upgrade scenario.

Our focus area is RF-filter based solutions including combiners, multi band TMAs, di-, tri- and quadruplexers.

Our product portfolio supports all frequencies for mobile communication bands ranging from 450 MHz to 6 GHz.

Site and network sharing makes it cost efficient to reach sparsely populated areas where new subscribers can contribute to revenue.

### MASS™

Advantage

**Increases coverage**  
more traffic & higher ARPU

**Increases capacity**  
more traffic & higher ARPU

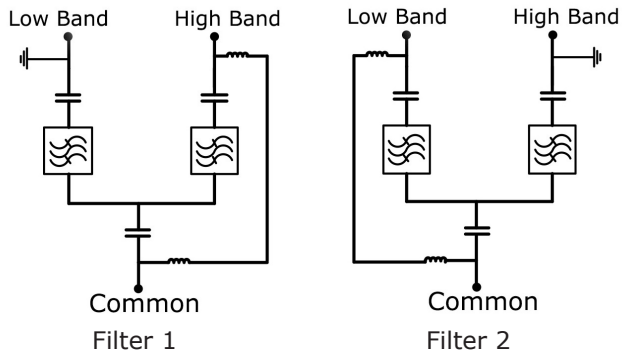
**Reduces the cost**  
of network expansion

**Minimizes**  
site acquisition issues

## Specifications

1800	
Frequency Band	1710 - 1880 MHz
Insertion Loss, 1710 - 1785 MHz	0.15 dB *, 0.2 dB max.
Insertion Loss, 1805 - 1880 MHz	0.15 dB *, 0.3 dB max.
Return Loss	> 18 dB
Rejection 1920 - 2170 MHz	60 dB
Continuous Average Power	250 W
Intermodulation, 2x43 dBm TX Carrier	-117 dBm
2100	
Frequency Band	1920 - 2170 MHz
Insertion Loss, 1920 - 1980 MHz	0.2 dB *, 0.4 dB max.
Insertion Loss, 2110 - 2170MHz	0.15 dB *, 0.2 dB max.
Return Loss	> 18 dB
Rejection 1710 - 1880 MHz	58 dB
Continuous Average Power	250 W
Intermodulation, 2x43 dBm TX Carrier	-125 dBm (IM7)
Environmental	
Operating Temperature Range	-40 to +65°C   -40 to +149°F
Operation	ETS 300 019-1-4, Class 4.1E
Storage	ETS 300 019-1-1, Class 1.2
Ingress Protection	IP67
Electrical	
DC By Pass	3 A
AISG pass	Yes
Lightning Protection	3 kA 10/350 µs, 10 kA 8/20 µs
Mechanical	
Dimensions (WxHxD)	142x150x104 mm   5.59x5.90x4.09 in
Connectors	7/16 long neck female
Mounting	Hose clamps or wall mount
Volume	2.2 l
Weight	4.2 kg   9.26 lb
Colour	NCS 1502-R
Bracket	Included
* Typical	

### Block Diagram



### Mechanical Drawing

