



MI-255nn

Triplexer

700-800-900/1800-2100/2300-2600



*This photo is showing MI-25501

MASS™

Microdata Advanced Site Solutions

With our expertise in site system design we are able to provide a solution for any site sharing or upgrade scenario.

Our focus area is RF-filter based solutions including combiners, multi band TMAs, di-, tri- and quadruplexers.

Our product portfolio supports all frequencies for mobile communication bands ranging from 450 MHz to 6 GHz.

Site and network sharing makes it cost efficient to reach sparsely populated areas where new subscribers can contribute to revenue.

MASS™

Advantage

Increases coverage

more traffic & higher ARPU

Increases capacity

more traffic & higher ARPU

Reduces the cost

of network expansion

Minimizes

site acquisition issues

Specifications

Port 1 (700-800-900) - Common		
Frequency Band	698 - 960 MHz	
Insertion Loss	< 0.2 dB	
Return Loss	> 18 dB	
Rejection 1710 - 2170 MHz	> 50 dB	
Rejection 2300 - 2700 MHz	> 50 dB	
Continuous Average Power	250 W	
Intermod. (IM3), 2x43 dBm TX Carrier	-117 dBm	
Port 2 (1800-2100) - Common		
Frequency Band	1710 - 2170 MHz	
Insertion Loss	< 0.2 dB*	
Return Loss	> 18 dB	
Rejection 698 - 960 MHz	> 50 dB	
Rejection 2300 - 2700 MHz	> 50 dB	
Continuous Average Power	400 W	
Intermod. (IM3), 2x43 dBm TX Carrier	-117 dBm	
Port 3 (2300-2600) - Common		
Frequency Band	2300 - 2690 MHz	
Insertion Loss	< 0.2 dB*	
Return Loss	> 18 dB	
Rejection 698 - 2170 MHz	> 50 dB	
Continuous Average Power	250 W	
Intermod. (IM3), 2x43 dBm TX Carrier	-117 dBm	
Environmental		
Operating Temperature Range	-40° to +60°C -40° to +140°F	
Environmental	ETS 300 019	
Ingress Protection	IP68	
Electrical		With Auto-Sense
DC By Pass	3 A	2A, drop max 2.4V
AISG pass	Yes	
AISG RL		> 12dB
AISG Loss		< 1 dB
Lightning Protection		10 kA 8/20 µs
Input Voltage Power		8-31 V max 0.3 W
Mechanical		Dual Mount
Dimensions (WxHxD)	170x150x50 mm 6.69x5.91x1.97 in	170x150x107 mm 6.69x5.91x4.21 in
	With Auto-Sense 170x150x61 mm 6.69x5.91x2.40 in	TBD
Volume	1.3 l	2.7 l
With Auto-Sense	1.6 l	TBD
Weight gross/net	3.1 kg/2.6 kg 6.83 lb/5.73 lb	
With Auto-Sense	TBD	
Connectors	See Selection Guide	
Mounting	Hose clamps or wall mount. Supporter Pole Diameter: 40-140mm	
Colour	NCS 1502-R (light grey)	
Bracket	Included	
Shipping Information		Dual Mount
Carton Size	300x260x155 mm 11.81x10.23x6.10	TBD
Carton Qty/Pallet	84	
* typical		
- Values are subject to change without notice		

Selection Guide

Single Mount	Dual Mount	Connector
MI-2550x	MI-2551x	All type 7/16 f connectors
MI-2552x	MI-2553x	Band connectors type 7/16 f, Common type N f
MI-2554x	MI-2555x	All type N f connectors

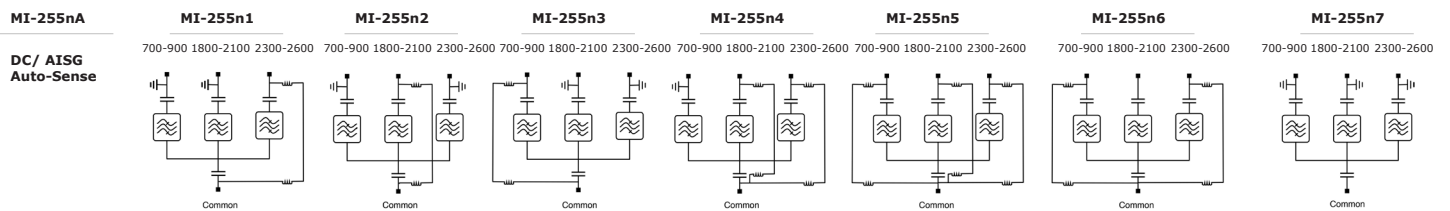
Auto-Sense: MI-255nA

*The dual filter configuration is mounted on a single bracket for hose clamp or wall mount.

DC/AISG

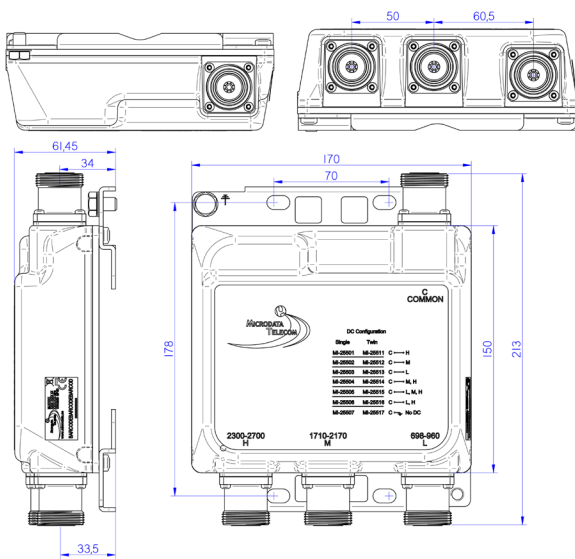
	700-900	1800-2100	2300-2600
MI-255nA	Auto-Sense		
MI-255n1	Block	Block	Pass
MI-255n2	Block	Pass	Block
MI-255n3	Pass	Block	Block
MI-255n4	Block	Pass	Pass
MI-255n5	Pass	Pass	Pass
MI-255n6	Pass	Block	Pass
MI-255n7	Block	Block	Block

Block Diagram



Mechanical Drawing

*This picture is showing MI-2550n



*This picture is showing MI-2550A

