



MI-254nn

Diplexer 1800-2100/2300-2700



*This photo is showing MI-25401

The MI-254nn family of cavity diplexer products include:

- **MI-254nA**, diplexer with DC/AISG Auto-Sense
- **MI-254n1**, all ports DC grounded
- **MI-254n2**, diplexer with DC/AISG on Common – High & Low Band
- **MI-254n3**, diplexer with DC/AISG on Common - High Band, Low port DC grounded
- **MI-254n4**, diplexer with DC/AISG on Common - Low Band, High port DC grounded

MASS™

Microdata Advanced Site Solutions

With our expertise in site system design we are able to provide a solution for any site sharing or upgrade scenario.

Our focus area is RF-filter based solutions including combiners, multi band TMAs, di-, tri- and quadruplexers.

Our product portfolio supports all frequencies for mobile communication bands ranging from 450 MHz to 6 GHz.

Site and network sharing makes it cost efficient to reach sparsely populated areas where new subscribers can contribute to revenue.

MASS™

Advantage

Increases coverage
more traffic & higher ARPU

Increases capacity
more traffic & higher ARPU

Reduces the cost
of network expansion

Minimizes
site acquisition issues

Specifications

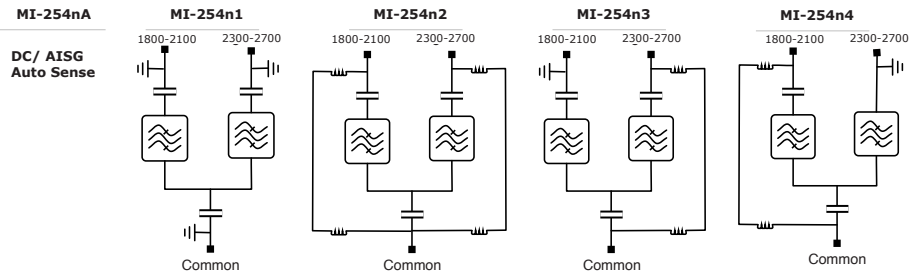
Low band				
Frequency Band	1695 - 2180 MHz			
Insertion Loss	< 0.2 dB*			
Return Loss	> 18 dB			
Rejection high band	50 dB			
Continuous Average Power	250 W			
Intermodulation, 2x43 dBm TX Carrier	-117 dBm			
High band				
Frequency Band	2300 - 2700 MHz			
Insertion Loss	< 0.2 dB*			
Return Loss	> 18 dB			
Rejection low band	50 dB			
Continuous Average Power	250 W			
Intermodulation, 2x43 dBm TX Carrier	-117 dBm			
Environmental				
Operating Temperature Range	-40 to +60°C -40 to +140°F			
Operation	ETS 300 019-1-4 Class 4.1E			
Storage	ETS 300 019-1-1 Class 1.2			
Ingress Protection	IP67			
Electrical		With Auto-Sense		
DC By Pass	3 A	2 A, drop max 2.4 V		
AISG pass	Yes			
AISG RL		>12 dB		
AISG Loss		< 1dB		
Lightning Protection		10 kA 8/20 µs		
Input Voltage Power		8-31 V max 0.3 W		
Mechanical		Single Mount	With Auto-Sense	Dual Mount
Dimensions (WxHxD)		131x150x49 mm	131x150x60 mm	131x150x115 mm
		5.16x5.91x1.93 in	5.16x5.91x2.36 in	5.16x5.91x4.53 in
Volume		0.96 l	1.18 l	2.26 l
Weight		1.8 kg	1.9 kg	To be added
		3.97 lb	4.19 lb	To be added
Connectors	See Selection Guide			
Mounting	Hose clamps or wall mount (Supporter Pole Diameter: 40-140mm)			
Colour	NCS 1502-R			
Bracket	Included			
* Typical				
- All values are subject to change without notice				

Selection Guide

Single Mount	Dual Mount	Connector
MI-2540n	MI-2541n	All type 7/16 f connectors
MI-2544n	MI-2545n	Band connectors type 7/16 f, Common type N f
MI-2548n	MI-2549n	All type 4.3/10 connectors f

*The dual filter configuration is mounted on a single bracket for hose clamp or wall mount.

Block Diagram

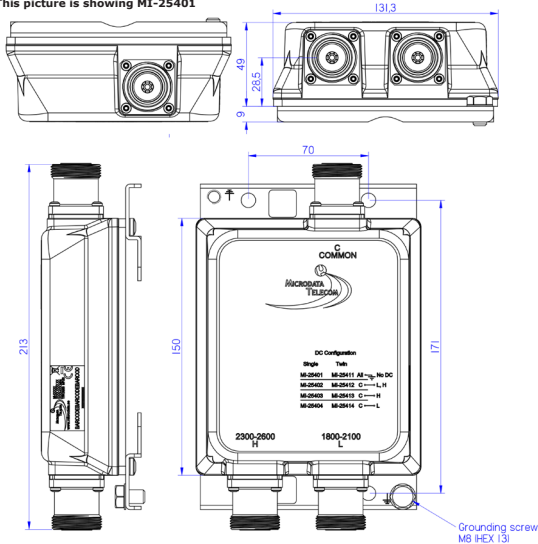


DC/AISG

	1800-2100	2300-2700
MI-254nA	Auto-Sense	
MI-254n1	Block	Block
MI-254n2	Pass	Pass
MI-254n3	Block	Pass
MI-254n4	Pass	Block

Mechanical Drawing

*This picture is showing MI-25401



*This picture is showing MI-2540A

