



MI-249nn Triplexer 800 - 900/1800/2100



*This photo is showing MI-24901

MASS™

Microdata Advanced Site Solutions

With our expertise in site system design we are able to provide a solution for any site sharing or upgrade scenario.

Our focus area is RF-filter based solutions including combiners, multi band TMAs, di-, tri- and quadruplexers.

Our product portfolio supports all frequencies for mobile communication bands ranging from 450 MHz to 6 GHz.

Site and network sharing makes it cost efficient to reach sparsely populated areas where new subscribers can contribute to revenue.

MASS™

Advantage

Increases coverage

more traffic & higher ARPU

Increases capacity

more traffic & higher ARPU

Reduces the cost

of network expansion

Minimizes

site acquisition issues

Specifications

| Port 1 (800-900) - Common | |
|--------------------------------------|---------------------------|
| Frequency Band | 790 - 960 MHz |
| Insertion Loss | 0.1 dB typ, 0.2 dB max |
| Return Loss | > 18 dB |
| Rejection 1710 - 1880 MHz | 60 dB |
| Rejection 1920 - 2170 MHz | 60 dB |
| Continuous Average Power | 250 W |
| Intermod. (IM3), 2x43 dBm TX Carrier | -117 dBm |
| Port 2 (1800) - Common | |
| Frequency Band | 1710 - 1880 MHz |
| Insertion Loss | 0.2 dB typ, 0.4 dB max |
| Return Loss | > 18 dB |
| Rejection 790 - 960 MHz | 60 dB |
| Rejection 1920 - 2170 MHz | 50 dB |
| Continuous Average Power | 250 W |
| Intermod. (IM3), 2x43 dBm TX Carrier | -117 dBm |
| Port 3 (2100) - Common | |
| Frequency Band | 1920 - 2170 MHz |
| Insertion Loss | 0.2 dB typ, 0.5 dB max |
| Return Loss | > 18 dB |
| Rejection 790 - 1880 MHz | 50 dB |
| Continuous Average Power | 250 W |
| Intermod. (IM7), 2x43 dBm TX Carrier | -125 dBm |
| Environmental | |
| Operating Temperature Range | -40° to +65°C |
| Environmental | ETS 300 019 |
| Ingress Protection | IP67 |
| Electrical | |
| Lightning Protection | IEC61000-4.5 |
| DC Pass Current | 3.0 A continuous max. |
| AISG pass | Yes |
| MTBF | 1 Mh min. |
| Safety | EN60950 |
| Mechanical | |
| Dimensions (WxHxD) | 170 x 150 x 50 mm |
| Connectors | See Selection Guide |
| Mounting | Hose clamps or wall mount |
| Volume | 1.3 l |
| Weight | 2.6 kg |
| Colour | NCS 1502-R (light grey) |
| * typical | |

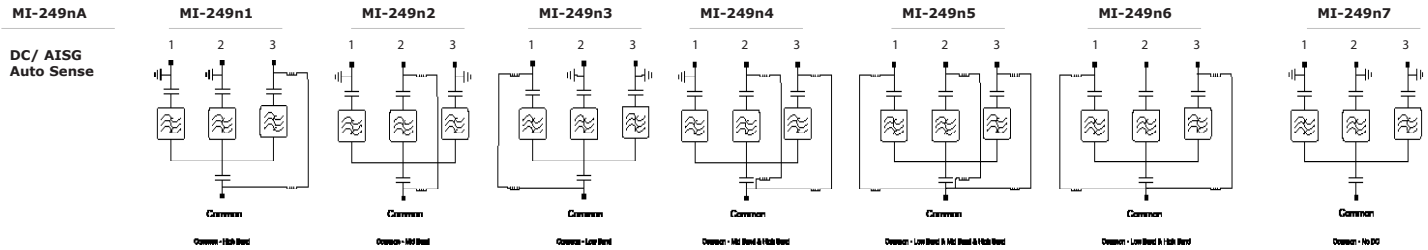
Selection Guide

| | | Connector (F) | |
|-------|--------|---------------|----------|
| | | 7/16 | 4.3-10 |
| Mount | Single | MI-2490n | MI-2493n |
| | Dual | MI-2491n | MI-2494n |

Auto-Sense: MI-249nA

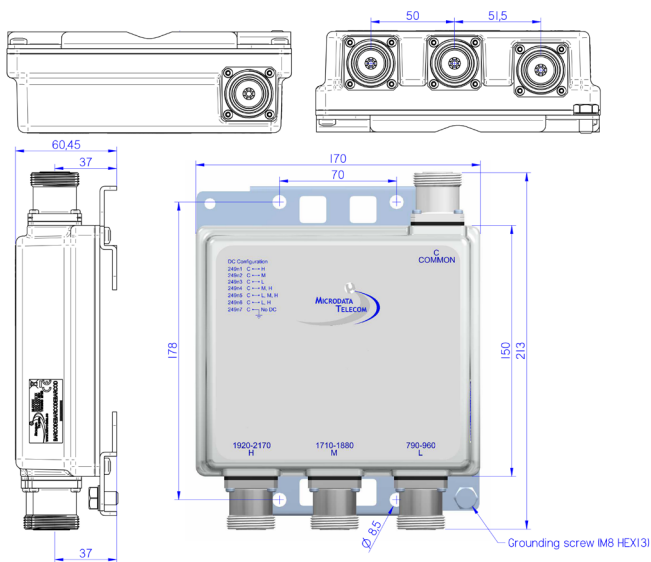
*The dual filter configuration is mounted on a single bracket for hose clamp or wall mount.

Block Diagram



Mechanical Drawing

*This picture is showing MI-24901



*This picture is showing MI-2490A

